

PDF hosted at the Radboud Repository of the Radboud University Nijmegen

The following full text is a preprint version which may differ from the publisher's version.

For additional information about this publication click this link.

<http://hdl.handle.net/2066/161296>

Please be advised that this information was generated on 2019-04-23 and may be subject to change.

Matrix Valued Orthogonal Polynomials for Gelfand Pairs of Rank One

Gert Heckman and Maarten van Pruijssen
Radboud University Nijmegen

October 18, 2013

Abstract

In this paper we study matrix valued orthogonal polynomials of one variable associated with a compact connected Gelfand pair (G, K) of rank one, as a generalization of earlier work by Koornwinder [29] and subsequently by Koelink, van Pruijssen and Roman [27], [28] for the pair $(\mathrm{SU}(2) \times \mathrm{SU}(2), \mathrm{SU}(2))$, and by Grünbaum, Pacharoni and Tirao [13] for the pair $(\mathrm{SU}(3), \mathrm{U}(2))$. Our method is based on representation theory using an explicit determination of the relevant branching rules. Our matrix valued orthogonal polynomials have the Sturm–Liouville property of being eigenfunctions of a second order matrix valued linear differential operator coming from the Casimir operator, and in fact are eigenfunctions of a commutative algebra of matrix valued linear differential operators coming from $U(\mathfrak{g}_c)^K$.

Contents

1	Introduction	3
2	The pair $(G, K) = (G_2, \text{SU}(3))$	9
3	Multiplicity free systems	11
4	The pair $(G, K) = (\text{Spin}(7), G_2)$	16
5	The pair $(G, K) = (\text{USp}(2n), \text{USp}(2n - 2) \times \text{USp}(2))$	24
6	The pair $(G, K) = (F_4, \text{Spin}(9))$	27
7	The differential equations	34
8	Conclusions	36

1 Introduction

For $N = 1, 2, 3, \dots$ a fixed positive integer let \mathbb{M} denote the associative algebra of square matrices of size $N \times N$ with complex entries. Denote by $\mathbb{M}[x]$ the associative algebra of matrix valued polynomials. A matrix valued weight function W on some open interval (a, b) , with $-\infty \leq a < b \leq \infty$, assigns to each $x \in (a, b)$ a selfadjoint matrix $W(x) \in \mathbb{M}$ (so $W(x)^\dagger = W(x)$), which is positive definite (denoted $W(x) > 0$) almost everywhere on (a, b) , such that the matrix valued moments

$$\int_a^b x^n W(x) dx$$

are finite (and selfadjoint) for all $n \in \mathbb{N}$. Such a weight function defines a sesquilinear matrix valued form

$$\langle P, Q \rangle = \int_a^b P^\dagger(x) W(x) Q(x) dx$$

on the polynomial algebra $\mathbb{M}[x]$. Sesquilinear in the convention of this paper amounts to antilinear in the first and linear in the second argument. The additional properties

$$\langle PA, Q \rangle = A^\dagger \langle P, Q \rangle, \langle P, QA \rangle = \langle P, Q \rangle A, \langle P, Q \rangle^\dagger = \langle Q, P \rangle$$

for all $A \in \mathbb{M}$ and $P, Q \in \mathbb{M}[x]$ are trivially checked, while

$$\langle P, P \rangle \geq 0, \langle P, P \rangle = 0 \Leftrightarrow P = 0$$

holds for all $P \in \mathbb{M}[x]$, since $\{A \in \mathbb{M}; A^\dagger = A, A \geq 0\}$ is a convex cone, and for A in this cone $A = 0 \Leftrightarrow \text{tr}A = 0$. Observe that $\langle P, P \rangle > 0$ as soon as $\det P(x) \neq 0$ at some point $x \in (a, b)$.

We can apply the Gram–Schmidt orthogonalization process to the (right module for \mathbb{M}) basis $\{x^n; n \in \mathbb{N}\}$ of $\mathbb{M}[x]$. By induction on n we can define monic matrix valued polynomials $M_n(x)$ of degree n by

$$M_n(x) = x^n + \sum_{m=0}^{n-1} M_m(x) C_{n,m}, \langle M_m(x), x^n \rangle + \langle M_m(x), M_m(x) \rangle C_{n,m} = 0$$

for all $m < n$. Indeed, the matrix $C_{n,m}$ can be solved, because $\langle M_m, M_m \rangle > 0$ and hence is invertible. Since $\langle M_m, M_n \rangle = 0$ for $m \neq n$ by construction any matrix valued polynomial $P(x)$ has a unique expansion

$$P(x) = \sum_n M_n(x) C_n, \langle M_n, P \rangle = \langle M_n, M_n \rangle C_n$$

in terms of the basis $\{M_n; n \in \mathbb{N}\}$ of the monic orthogonal matrix valued polynomials. The theory of matrix valued orthogonal polynomials was initiated by Krein [32], [33], and further developed by Geronimo [12], Duran [9], Grünbaum and Tirao [15] and others.

In the scalar case $N = 1$ with a non negative weight function $w(x)$ on the interval (a, b) the system of monic orthogonal polynomials $p_n(x)$ has been the subject of an extensive study in mathematical analysis over the past two centuries [39]. The classical orthogonal polynomials with weight functions

$$w(x) = e^{-x^2/2}, \quad w(x) = x^\alpha e^{-x}, \quad w(x) = (1-x)^\alpha (1+x)^\beta$$

on the intervals $(-\infty, \infty)$, $(0, \infty)$, $(-1, 1)$ for $\alpha, \beta > -1$ give rise to the Hermite, Laguerre and Jacobi polynomials respectively. These three classes of orthogonal polynomials $p_n(x)$ are also eigenfunctions with eigenvalue λ_n of a second order differential operator. Orthogonal polynomials with this additional Sturm–Liouville property were characterized by Bochner [2], who found besides the classical examples certain polynomials related to the Bessel function $J_{n+\frac{1}{2}}(x)$.

In the matrix setting $N \geq 1$ the question studied by Bochner was taken up by Duran [9] and further studied by Duran and Grünbaum [10], and Grünbaum and Tirao [15], but a full list of matrix valued weight functions $W(x)$ with the Sturm–Liouville property seems to be out of reach until now. Examples of matrix valued orthogonal polynomials with the Sturm–Liouville property have been found using harmonic analysis for compact Gelfand pairs, notably for the example $(\mathrm{SU}(2) \times \mathrm{SU}(2), \mathrm{SU}(2))$ (diagonally embedded) by Koornwinder [29] and by Koelink, van Pruijssen and Román [27], [28], and for the example $(\mathrm{SU}(3), \mathrm{U}(2))$ by Grünbaum, Pacheroni and Tirao [13], [14].

The main goal of this paper is a uniform construction of a class of matrix valued orthogonal polynomials with the Sturm–Liouville property, obtained using harmonic analysis for compact Lie groups. More specifically, let G be a compact connected Lie group, K a closed connected subgroup and F a non empty face of the cone P_K^+ of dominant weights of K . We say that (G, K, F) is a multiplicity free system if for each irreducible representation π_μ^K of K with highest weight $\mu \in F$ the induced representation $\mathrm{Ind}_K^G(\pi_\mu^K)$ decomposes into a direct sum of irreducible representations π_λ^G of G with highest weight λ , with multiplicities

$$m_\lambda^{G,K}(\mu) = [\pi_\lambda^G : \pi_\mu^K] \leq 1$$

for all $\lambda \in P_G^+$. A necessary condition for (G, K, F) to be a multiplicity free system is that the triple $(G, K, \{0\})$ is multiplicity free, which is equivalent to (G, K) being a Gelfand pair.

G	K	λ_{sph}	faces F
$\text{SU}(n+1)$	$\text{S}(\text{U}(n) \times \text{U}(1))$	$\varpi_1 + \varpi_n$	any
$\text{SO}(2n+1)$	$\text{SO}(2n)$	ϖ_1	any
$\text{SO}(2n)$	$\text{SO}(2n-1)$	ϖ_1	any
$\text{USp}(2n)$	$\text{USp}(2n-2) \times \text{USp}(2)$	ϖ_2	$\text{rk } F \leq 2$
F_4	$\text{Spin}(9)$	ϖ_1	$\text{rk } F \leq 1$ or $F = \mathbb{N}\omega_1 + \mathbb{N}\omega_2$
$\text{Spin}(7)$	G_2	ϖ_3	$\text{rk } F \leq 1$
G_2	$\text{SU}(3)$	ϖ_1	$\text{rk } F \leq 1$

Table 1: Multiplicity free systems.

Henceforth, in this paper we shall assume that (G, K) is a Gelfand pair of rank one. The classification of such pairs is known from the work of Krämer [31] and Brion [4]. The space G/K is either a sphere \mathbb{S}^n or a projective space $\mathbb{P}^n(\mathbb{F})$ with $n \geq 2$ for $\mathbb{F} = \mathbb{R}, \mathbb{C}, \mathbb{H}$ and $n = 2$ for $\mathbb{F} = \mathbb{O}$. If G is the maximal connected group of isometries, then (G, K) is a symmetric pair of rank one. In addition there are two exceptional spheres $\mathbb{S}^7 = \text{Spin}(7)/\text{G}_2$ and $\mathbb{S}^6 = \text{G}_2/\text{SU}(3)$, which are acted upon in a distance transitive way, and so the corresponding pairs (G, K) are still Gelfand pairs of rank one. The homogeneous spaces G/K are precisely the distance regular spaces as found by Wang [44]. For (G, K) a rank one Gelfand pair the classification of multiplicity free triples (G, K, F) is given by the following theorem.

Theorem 1.1. *The full list of multiplicity free rank one triples (G, K, F) is given by the Table 1 In the third column we have given the highest weight $\lambda_{\text{sph}} \in P_G^+$ of the fundamental zonal spherical representation in the notation for root systems of Knapp [25], except for case $(G, K) = (\text{SO}(4), \text{SO}(3))$ that G is not simple and $\lambda_{\text{sph}} = \varpi_1 + \varpi_2 \in P_G^+ = \mathbb{N}\varpi_1 + \mathbb{N}\varpi_2$. Observe that λ_{sph} is a primitive vector in P_G^+ .*

The first three cases are well known through work of Weyl and Murnaghan [25]. In this paper we prove this theorem only in one direction, namely that all cases in the table give multiplicity free systems by working out the explicit branching rules in §§2, 4, 5 and 6. To exclude the case of the symplectic group with $\text{rk}(F) \geq 3$ we refer to [37, Lem. 2.2.15], based on a result of Brion [4, Prop. 3.1] or to [20, Thm. 8.3].

The group G for the two-point-homogeneous space G/K admits a Cartan decomposition $G = KTK$ with $T \subset G$ a one dimensional torus with Lie algebra

$\mathfrak{t} \subset \mathfrak{k}^\perp$. Denote $M = Z_K(T)$, the centralizer of T in K . A triple (G, K, F) is a multiplicity free system if and only if the restriction of π_μ^K to M decomposes multiplicity free for all $\mu \in F$, which is proved in [37, Prop. 2.2.9] using the theory of spherical varieties. In the symmetric space examples this result goes back to Kostant and Camporesi [30, 5].

For each of these triples (G, K, F) we determine for all $\mu \in F$ the induced spectrum

$$P_G^+(\mu) = \{\lambda \in P_G^+; m_\lambda^{G,K}(\mu) = 1\}$$

explicitly through a case by case analysis. We claim that if $\lambda \in P_G^+(\mu)$ then also $\lambda + \lambda_{\text{sph}} \in P_G^+(\mu)$. This can be derived from the Borel–Weil theorem. Indeed, if $V_\lambda^G = H^0(G_c/B_c, L_\lambda)$ denotes the Borel–Weil realization of the finite dimensional representation of G with highest weight $\lambda \in P_G^+$ then the intertwining projection

$$V_\lambda^G \otimes V_{\lambda_{\text{sph}}}^G \rightarrow V_{\lambda + \lambda_{\text{sph}}}^G$$

onto the Cartan component of the tensor product is just realized by the point-wise multiplication of holomorphic sections.

A spherical function of type $\mu \in F$ is a smooth map $\Phi : G \rightarrow \text{End}(V_\mu^K)$ with the transformation rule

$$\Phi(kgk') = \pi_\mu^K(k)\Phi(g)\pi_\mu^K(k') \quad (1.1)$$

for all $g \in G$ and $k, k' \in K$. The vector space $\mathcal{H}(G, K, \mu)$ of (say finite for G on the left and the right) spherical functions of type μ has a natural scalar valued Hermitian inner product

$$\langle \Phi, \Phi' \rangle = \int_G \text{tr}(\Phi(g)^\dagger \Phi'(g)) dg$$

with the dagger coming from the (unique up to positive scalar) unitary structure on V_μ^K , and dg the normalized Haar measure on G . Because (G, K, F) is a multiplicity free system the elementary spherical functions Φ_λ^μ indexed by $\lambda \in P_G^+(\mu)$ form a basis for $\mathcal{H}(G, K, \mu)$, which is orthogonal,

$$\langle \Phi_\lambda^\mu, \Phi_{\lambda'}^\mu \rangle = \frac{(\dim \mu)^2}{\dim \lambda} \delta_{\lambda, \lambda'},$$

as a consequence of the Schur orthogonality relations.

With $\phi = \phi_{\text{sph}}$ the fundamental zonal spherical function of (G, K) , the product $\phi \Phi_\lambda^\mu$ is again a spherical function of type μ , and therefore has an expansion

$$\phi \Phi_\lambda^\mu = \sum_{\lambda'} c_{\lambda, \lambda'} \Phi_{\lambda'}^\mu \quad (1.2)$$

with $\lambda' \in P_G^+(\mu)$. For $\lambda, \lambda' \in P_G^+(\mu)$ the coefficient $c_{\lambda, \lambda'} = 0$ unless

$$\lambda - \lambda_{\text{sph}} \preceq \lambda' \preceq \lambda + \lambda_{\text{sph}}, \quad (1.3)$$

where \preceq is the usual partial ordering on P_G^+ , and the leading coefficient $c_{\lambda, \lambda + \lambda_{\text{sph}}}$ is non-zero. This allows one to define a degree $d : P_G^+(\mu) \rightarrow \mathbb{N}$ by

$$d(\lambda + \lambda_{\text{sph}}) = d(\lambda) + 1, \quad \min\{d(P_G^+(\mu) \cap \{\lambda + \mathbb{Z}\lambda_{\text{sph}}\})\} = 0$$

for all $\lambda \in P_G^+(\mu)$.

The bottom $B(\mu)$ of the induced spectrum $P_G^+(\mu)$ is defined as

$$B(\mu) = \{\lambda \in P_G^+(\mu); d(\lambda) = 0\}$$

giving $P_G^+(\mu) = B(\mu) + \mathbb{N}\lambda_{\text{sph}}$ the structure of a well. We have determined explicitly the structure of the bottom $B(\mu)$ with $\mu \in F$ for all multiplicity free triples (G, K, F) in the above table. The first three lines of this table follow from a straightforward application of branching rules going back to Weyl for the unitary group and Murnaghan for the orthogonal groups [25]. The case of the symplectic group follows using the branching rule of Lepowsky [25, 34], which under the restriction $\text{rk } F \leq 2$ we are able to make completely explicit in §5. The remaining last two lines with the exceptional group of type G_2 appearing turn out to be manageable as well and are treated in §§2, 4. The appropriate branching rules for the symmetric case $(F_4, \text{Spin}(9))$ are calculated in §6, using computer algebra.

Behind all these explicit calculations is a general multiplicity formula for branching rules going back to Kostant [34, 41] and rediscovered by Heckman [21]. On the basis of our explicit knowledge of the bottom $B(\mu)$ for $\mu \in F$ we are able to verify case by case the following degree inequality in §§2, 4, 5 and 6.

Theorem 1.2. *The degree $d : P_G^+(\mu) \rightarrow \mathbb{N}$ satisfies the inequality*

$$d(\lambda) - 1 \leq d(\lambda') \leq d(\lambda) + 1$$

for all $\lambda' \in P_G^+(\mu)$ with $c_{\lambda, \lambda'} \neq 0$.

As stated before, in all cases of our table the restriction of π_μ^K for $\mu \in F$ to the centralizer M of a Cartan circle T in G is multiplicity free. Moreover, the irreducible constituents are indexed in a natural way by the bottom $B(\mu)$, as we shall explain in §3. The restriction of the elementary spherical function Φ_λ^μ to the Cartan circle T takes values in $\text{End}_M(V_\mu^K)$, and so is block diagonal by Schur's Lemma: $\text{End}_M(V_\mu^K) \cong \mathbb{C}^{N_\mu}$ with N_μ the cardinality of the bottom $B(\mu)$.

Operators on the left become vectors on the right. In view of this isomorphism, $\Phi_\lambda^\mu(t)$ for $t \in T$ is identified with the function $\Psi_\lambda^\mu(t)$ taking values in \mathbb{C}^{N_μ} . We define for $n \in \mathbb{N}$ the matrix valued spherical functions $\Psi_n^\mu(t)$, whose columns are the vector valued functions $\Psi_\lambda^\mu(t)$ with $\lambda \in P_G^+(\mu)$ of degree $d(\lambda) = n$. Observe that both rows and columns of the matrix $\Psi_n^\mu(t)$ are indexed by the bottom $B(\mu)$. Finally we can define our matrix valued polynomials $P_n^\mu(x) \in \mathbb{M}[x]$ of size $N_\mu \times N_\mu$ as functions of a real variable x by

$$\Psi_n^\mu(t) = \Psi_0^\mu(t)P_n^\mu(x)$$

with $t \mapsto x$ a new variable, defined by $x = c\phi + (1 - c)$ for some $c > 0$ (with ϕ the fundamental zonal spherical function as before) in order to make the orthogonality interval $x(T)$ equal to $[-1, 1]$.

The crucial fact that $P_n^\mu(x)$ is a matrix valued polynomial in x of degree n with invertible leading coefficient D_n^μ (inductively given by $D_n^\mu = D_{n+1}^\mu A_n^\mu$) follows from a three term recurrence relation

$$xP_n^\mu(x) = P_{n+1}^\mu(x)A_n^\mu + P_n^\mu(x)B_n^\mu + P_{n-1}^\mu(x)C_n^\mu$$

which is obtained using the expansion (1.2). Theorem 1.2 together with the ordering relation (1.3) and $c_{\lambda, \lambda + \lambda_{\text{sph}}} \neq 0$ imply that the matrices A_n are triangular with non-zero diagonal, and hence are invertible. The matrix valued weight function is given by

$$W^\mu(x) = (\Psi_0^\mu(t))^\dagger D^\mu \Psi_0^\mu(t) w(x)$$

with $w(x) = (1 - x)^\alpha (1 + x)^\beta$ the usual scalar weight function for the Cartan decomposition $G = KTK$ and suitable $\alpha, \beta \in \mathbb{N}/2$ given in terms of root multiplicities. The matrix D^μ is diagonal with entries the dimensions of the irreducible constituents of the restriction of π_μ^K to M , which as a set was indexed by the bottom $B(\mu)$ as should. The diagonal matrix D^μ arises from the identification $\text{End}_M(V_\mu^K) \cong \mathbb{C}^{N_\mu}$ with the trace form of the left operator side and the standard Hermitian form on the right vector side.

The matrix valued polynomials $P_n^\mu(x)$ are orthogonal with respect to the weight function $W^\mu(x)$ and have diagonal square norms, since

$$\langle P_n^\mu, P_{n'}^\mu \rangle_{\nu, \nu'} = \langle \Phi_\lambda^\mu, \Phi_{\lambda'}^\mu \rangle$$

with $\lambda = \nu + n\lambda_{\text{sph}}, \lambda' = \nu' + n'\lambda_{\text{sph}} \in P_G^+(\mu) = B(\mu) + \mathbb{N}\lambda_{\text{sph}}$. Finally, the monic orthogonal polynomials $M_n^\mu(x) = x^n + \dots$ and the orthogonal polynomials $P_n^\mu(x) = M_n^\mu(x)D_n^\mu$ are related by eliminating the invertible leading coefficient D_n^μ .

By Lie algebraic methods the polynomials $P_n^\mu(x)$ are shown to be eigenfunctions of a commutative algebra $\mathbb{D}^\mu \subset \mathbb{M}[x, \partial_x]$ of matrix valued differential operators

$$DP_n^\mu = P_n^\mu \Lambda_n^\mu(D)$$

with $\Lambda_n^\mu(D)$ a diagonal eigenvalue matrix for all $D \in \mathbb{D}^\mu$. The desired second order operator for the orthogonal polynomials with the Sturm–Liouville property comes from the quadratic Casimir operator. The dimension of the affine variety underlying the commutative algebra \mathbb{D}^μ is equal to the affine rank of the well $P_G^+(\mu)$.

Our explicit results on branching rules provide examples of the convexity theorem for Hamiltonian actions of connected compact Lie groups on connected symplectic manifolds with a proper moment map [21], [17], [18], [19], [23]. The multiplicities occur at the integral points in the moment polytopes in accordance with the $[Q, R] = 0$ principle of geometric quantization [16].

In the next section we first discuss the pair $(G, K) = (G_2, \text{SU}(3))$, which is an instructive example to illustrate the various aspects of the representation theory and the construction of the matrix valued orthogonal polynomials.

Acknowledgement. We thank Noud Aldenhoven for his help in programming certain branching rules, which gave us a good idea about the multiplicity freeness in the symplectic case. Furthermore, we thank Erik Koelink and Pablo Román for fruitful discussions concerning matrix valued orthogonal polynomials.

2 The pair $(G, K) = (G_2, \text{SU}(3))$

In this section we take G of type G_2 and $K = \text{SU}(3)$ the subgroup of type A_2 . Having the same rank the root systems R_G of G and R_K of K can be drawn in one picture, and R_K consists of the 6 long roots. The simple roots $\{\alpha_1, \alpha_2\}$ in R_G^+ and $\{\beta_1, \beta_2\}$ in R_K^+ are indicated in Figure 1 and $P_G^+ = \mathbb{N}\varpi_1 + \mathbb{N}\varpi_2$ is contained in $P_K^+ = \mathbb{N}\omega_1 + \mathbb{N}\omega_2$.

The branching rule from G to K is well known, see for example [21]. In the picture below $s_1 \in W_G$ is the orthogonal reflection in the mirror $\mathbb{R}\varpi_2$. For $\lambda \in P_G^+$ the multiplicities $m_\lambda(\mu)$ for $\mu \in P_K^+$ are supported in the gray region in the left picture. They have the familiar pattern of the weight multiplicities for $\text{SU}(3)$ as discussed in the various text books [22], [11]. They are one on the outer hexagon, and increase by one on each inner shell hexagon, until the hexagon becomes a triangle, and from that moment on they stabilize. Hence the restriction to K of any irreducible representation of G with highest weight $\lambda \in$

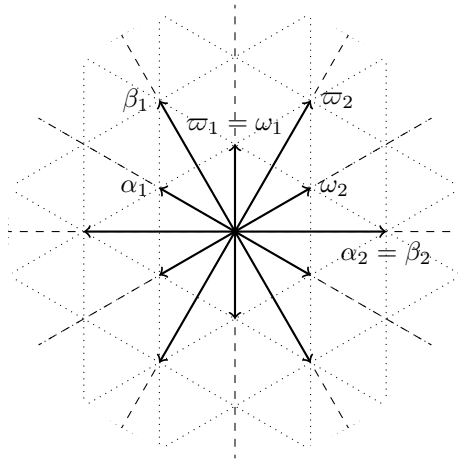


Figure 1: Roots for G_2 .

P_G^+ is multiplicity free on the two rank one faces $\mathbb{N}\omega_1$ and $\mathbb{N}\omega_2$ of the dominant cone P_K^+ . In other words, the triples $(G_2, A_2, F_i = \mathbb{N}\omega_i)$ are multiplicity free for $i = 1, 2$, which proves the last line of the table in Theorem 1.1.

The irreducible spherical representations of G containing the trivial representation of K have highest weight in $\mathbb{N}\varpi_1$, and $\lambda_{\text{sph}} = \varpi_1$ is the fundamental spherical weight. Given $\mu = n\omega_1 \in F_1$ (and likewise $\mu = n\omega_2 \in F_2$) the corresponding induced spectrum of G is multiplicity free by Frobenius reciprocity, and by inversion of the branching rule has multiplicity one on the well shaped region

$$P_G^+(\mu) = B(\mu) + \mathbb{N}\varpi_1, \quad B(\mu) = \{k\varpi_1 + l\varpi_2; k + l = n\}$$

with bottom $B(\mu)$. The bottom is given by a single linear relation.

If we take M the $SU(2)$ group corresponding to the roots $\{\pm\alpha_2\}$ and denote by $p : P_G^+ \rightarrow P_M^+ = \mathbb{N}(\frac{1}{2}\alpha_2)$ the natural projection along the spherical direction ϖ_1 , then p is a bijection from the bottom $B(\mu)$ onto the image $p(B(\mu))$, which is just the restricted spectrum $P_M^+(\mu)$ for M of the irreducible representation of K with highest weight μ .

There is warning about the choice of the various Cartan subalgebras. In order to compute branching rules it is natural and convenient (as we did above) to choose the Cartan subalgebra of K contained in the Cartan subalgebra of G . The other choice is that we start with a rank one Gelfand pair (G, K) , and choose the Cartan circle group T in G perpendicular to K . If M is the centralizer of T in K , then MT is a subgroup in G of full rank. A maximal

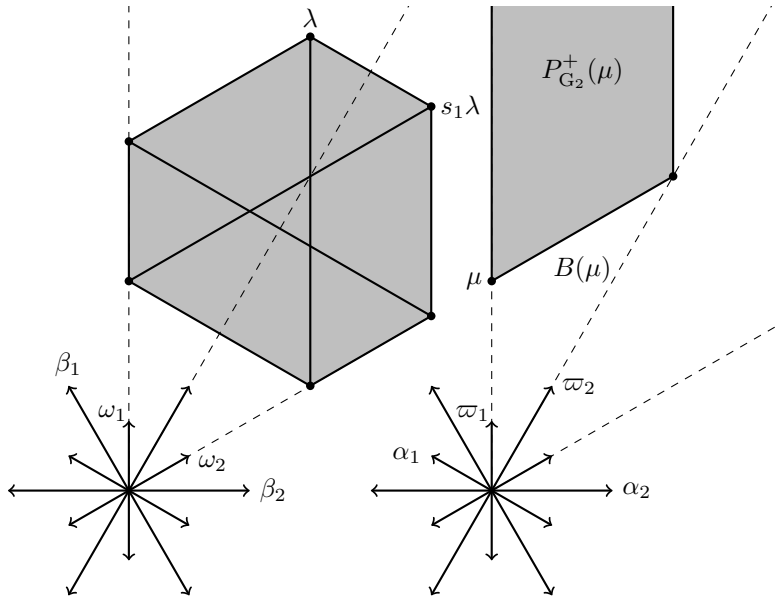


Figure 2: Branching from G_2 to $SU(3)$ on the left and the μ -well on the right.

torus in MT is then a maximal torus for G as well. But this maximal torus need not contain a maximal torus for K , as is clear from the present example. It will only do so if the rank of K is equal to the rank of M , which is equal to the rank of G minus 1, and a maximal torus of M is a maximal torus of K as well.

3 Multiplicity free systems

Connected compact irreducible Gelfand pairs (G, K) have been classified by Krämer for G a simple Lie group and by Brion for G a semisimple Lie group [31], [4]. We shall assume that G and K are connected, and that the connected space G/K is also simply connected. The pair (G, K) is called rank one if the Hecke algebra $\mathcal{H}(G, K)$ of zonal spherical (so bi- G -finite and bi- K -invariant) functions is a polynomial algebra $\mathbb{C}[\phi]$ with one generator, the fundamental elementary zonal spherical function $\phi = \phi_{\text{sph}}$. We shall assume throughout this paper that (G, K) is a rank one Gelfand pair, with G/K simply connected. The corresponding spaces G/K are just the distance regular spaces found by Wang [44].

Indeed, for $K < G$ compact connected Lie groups the homogeneous space G/K equipped with an invariant Riemannian metric is distance transitive for the action of G on G/K if and only if the action of K on the tangent space $T_{eK}G/K$ is transitive on the unit sphere. This is equivalent with the algebra $P(T_{eK}G/K)^K$ of polynomial invariants being a polynomial algebra in a single generator (the quadratic norm), which in turn is equivalent with the Hecke algebra $\mathcal{H}(G, K)$ being a polynomial algebra $\mathbb{C}[\phi]$ in the single generator $\phi = \phi_{\text{sph}}$. If $\mathcal{H}(G, K) = \mathbb{C}[\phi]$ has a single generator then it is commutative as convolution algebra, which is equivalent with (G, K) being a Gelfand pair.

Let $\mathfrak{k} < \mathfrak{g}$ be the Lie algebras of $K < G$. By definition the infinitesimal Cartan decomposition $\mathfrak{g} = \mathfrak{k} \oplus \mathfrak{p}$ is the orthogonal decomposition with respect to minus the Killing form on \mathfrak{g} . Since (G, K) has rank one the adjoint homomorphism $K \rightarrow \text{SO}(\mathfrak{p})$ is a surjection. Fix a (maximal Abelian) one dimensional subspace \mathfrak{t} in \mathfrak{p} . Any two such are clearly conjugated by K , and let $T < G$ be the corresponding Cartan circle group. Let $M < N$ be the centralizer and normalizer of T in K with Lie algebra \mathfrak{m} . The Weyl group $W = N/M$ has order 2 and acts on T by $t \mapsto t^{\pm 1}$.

The subgroup MT has maximal rank in G , and choosing a maximal torus in MT for G defines a natural restriction map from the weight lattice P_G of G to the weight lattice of the circle T . The next result for symmetric pairs is just the Cartan–Helgason theorem.

Proposition 3.1. *Suppose G is simply connected and K is connected, so that G/K is simply connected. Then $T \cap K$ has order 2, except for the Gelfand pair $(G, K) = (\text{Spin}(7), G_2)$ where it has order 3.*

Proof. The crucial remark is that the highest weight $\lambda_{\text{sph}} \in P_G^+$ of the fundamental zonal spherical representation of (G, K) after restriction to T becomes a generator for the weight lattice of $T/(T \cap K)$. For a symmetric pair (G, K) with Cartan involution $\theta : G \rightarrow G$ we have $K = G^\theta$ and $\theta(t) = t^{-1}$ for $t \in T$. Hence $T \cap K$ has order 2 for (G, K) a symmetric pair. In the remaining two cases we use the notation of Bourbaki [3].

For $(G, K) = (\text{Spin}(7), G_2)$ the weight lattice of G is naturally identified with \mathbb{Z}^3 with basis ϵ_i , and likewise the dual coroot lattice becomes \mathbb{Z}^3 with basis e_i . The character lattice of $T/(T \cap K)$ has generator $\varpi_3 = (\epsilon_1 + \epsilon_2 + \epsilon_3)/2$, which takes the value 3 on the generator $2(e_1 + e_2 + e_3)$ of the coroot lattice of T .

For $(G, K) = (G_2, \text{SU}(3))$ the weight lattice of G is naturally identified with $\{\xi \in \mathbb{Z}^3; \xi_1 + \xi_2 + \xi_3 = 0\}$, and likewise the dual coroot lattice becomes $\{x \in \mathbb{Z}^3; x_1 + x_2 + x_3 = 0\}$. The character lattice of $T/(T \cap K)$ has generator

$\varpi_1 = 2\alpha_1 + \alpha_2 = -\epsilon_2 + \epsilon_3$, which takes the value 2 on the generator $-e_2 + e_3$ of the coroot lattice of T . \square

In the next definition we explain the well shape of the induced spectrum $P_G^+(\mu) = B(\mu) + \mathbb{N}\lambda_{\text{sph}}$ with bottom $B(\mu)$. This idea goes back to Kostant and Camporesi [30], [5].

Definition 3.2. For $\mu \in P_K^+$ the highest weight of an irreducible representation π_μ^K of K the induced representation $\text{Ind}_K^G(\pi_\mu^K)$ decomposes as a direct sum of irreducible representations π_λ^G of G with branching multiplicities

$$m_\lambda^{G,K}(\mu) = [\pi_\lambda^G : \pi_\mu^K]$$

for all $\lambda \in P_G^+$ by Frobenius reciprocity. We denote

$$P_G^+(\mu) = \{\lambda \in P_G^+; m_\lambda^{G,K}(\mu) \geq 1\}$$

for the induced spectrum. In the introduction we have explained using the Borel–Weil theorem that $\lambda \in P_G^+(\mu)$ implies $\lambda + \lambda_{\text{sph}} \in P_G^+(\mu)$. In turn we see that $P_G^+(\mu) = B(\mu) + \mathbb{N}\lambda_{\text{sph}}$ has the shape of a well with

$$B(\mu) = \{\lambda \in P_G^+(\mu); \lambda - \lambda_{\text{sph}} \notin P_G^+(\mu)\}$$

the bottom of the induced spectrum $P_G^+(\mu)$.

To arrive at a good theory of matrix valued orthogonal polynomials we have to restrict ourselves to multiplicity free triples (G, K, μ) and (G, K, F) for $\mu \in P_K^+$ a suitable dominant weight for K and F a suitable facet of the dominant cone P_K^+ for K .

Definition 3.3. The triple (G, K, μ) with $\mu \in P_K^+$ a highest weight for K is called multiplicity free if the branching multiplicity $m_\lambda(\mu) \leq 1$ for all $\lambda \in P_G^+$, so if the induced representation $\text{Ind}_K^G(\pi_\mu^K)$ decomposes multiplicity free as a representation of G . Likewise, (G, K, F) is called a multiplicity free system with F a facet of the dominant integral cone P_K^+ if (G, K, μ) is multiplicity free for all $\mu \in F$.

Camporesi calculated the bottoms $B(\mu)$ of the well $P_G^+(\mu)$ explicitly in the first three examples of the table in Theorem 1.1 using the classical branching laws of Weyl for the unitary group and Murnaghan for the orthogonal groups [5],[25]. In the fourth example of the symplectic group he obtained partial results, because of the complexity of the branching law of Lepowsky (from G to K) [34] and of Baldoni Silva (from K to M) [1] in that case. However, in this symplectic case the restriction on a multiplicity free system (G, K, F) is just strong enough to find a completely explicit description of the bottom.

Proposition 3.4. *Let F be a facet of the dominant integral cone P_K^+ . Then the branching multiplicity $m_\lambda^{G,K}(\mu) \leq 1$ for all $\mu \in F$ and all dominant weights $\lambda \in P_G^+$ if and only if the branching multiplicity $m_\mu^{K,M}(\nu) \leq 1$ for all $\mu \in F$ and all dominant weights $\nu \in P_M^+$.*

Proof. Let us complexify all our compact Lie groups G, K, M, T to complex reductive algebraic groups G_c, K_c, M_c, T_c . The statement of the proposition translates into the following geometric statement. For P_c the parabolic subgroup of K_c with Levi component the stabilizer of F the variety G_c/P_c is spherical for G_c if and only if K_c/P_c is spherical for M_c . Here we say that a variety with an action of a reductive group is spherical if the Borel subgroup has an open orbit. Observe that (also for the non symmetric pairs) we have an infinitesimal Iwasawa decomposition

$$\mathfrak{g}_c = \mathfrak{k}_c \oplus \mathfrak{t}_c \oplus \mathfrak{n}_c$$

with \mathfrak{n}_c the direct sum of those root spaces \mathfrak{g}_c^α for which the restriction of α to \mathfrak{t}_c is a positive multiple of the restriction of λ_{sph} to \mathfrak{t}_c . Taking the Borel subgroup of G_c of the form $B_{M_c}T_cN_c$ with B_{M_c} a Borel subgroup for M_c the equivalence of G_c/P_c having an open orbit for $B_{M_c}T_cN_c$ is equivalent to K_c/P_c having an open orbit for B_{M_c} follows, since the orbit of T_cN_c through K_c is open in G_c/K_c . \square

Let us take the Cartan subalgebra of \mathfrak{g}_c a direct sum of \mathfrak{t}_c and a Cartan subalgebra of \mathfrak{m}_c , and extend a set of positive roots for \mathfrak{m}_c to a set of positive roots for \mathfrak{g}_c . Let V_λ^G be an irreducible representation of G with highest weight $\lambda \in P_G^+$. Because $M_cT_cN_c$ is a standard parabolic subgroup of G_c the vector space

$$(V_\lambda^G)^{\mathfrak{n}_c} = \{v \in V_\lambda^G; Xv = 0 \forall X \in \mathfrak{n}_c\}$$

is an irreducible representation of M_c with highest weight $\nu \in P_M^+$. Clearly $\nu = p(\lambda)$ with $p : P_G^+ \rightarrow P_M^+$ the natural projection along the spherical direction $\mathbb{N}\lambda_{\text{sph}}$. The Iwasawa decomposition $\mathfrak{g}_c = \mathfrak{k}_c \oplus \mathfrak{t}_c \oplus \mathfrak{n}_c$ of the above proof gives the Poincaré–Birkhoff–Witt factorization $U(\mathfrak{g}_c) = U(\mathfrak{k}_c)U(\mathfrak{t}_c)U(\mathfrak{n}_c)$ and we conclude that $U(\mathfrak{k}_c)(V_\lambda^G)^{\mathfrak{n}_c} = V_\lambda^G$.

Proposition 3.5. *Let (G, K, F) be a multiplicity free system and let $\mu \in F$. Then the natural projection $p : P_G^+ \rightarrow P_M^+$ is a surjection from the induced spectrum $P_G^+(\mu)$ for G onto the restricted spectrum*

$$P_M^+(\mu) = \{\nu \in P_M^+; m_\mu^{K,M}(\nu) \geq 1\}$$

for M , and therefore $p : P_G^+(\mu) \rightarrow P_M^+(\mu)$ is a bijection. Note that $m_\mu^{K,M}(\nu) \leq 1$ for all $\nu \in P_M^+$ by the previous proposition.

Proof. Let $\langle \cdot, \cdot \rangle$ be a unitary structure on V_λ^G for G . Suppose V is an irreducible subrepresentation of K in the restriction of V_λ^G to K . If u is a nonzero vector in $(V_\lambda^G)^{n_c}$ then $\langle u, v \rangle \neq 0$ for some $v \in V$. Indeed $\langle u, v \rangle = 0$ for all $v \in V$ contradicts $U(\mathfrak{k}_c)(V_\lambda^G)^{n_c} = V_\lambda^G$. Hence the restriction of V to M contains a copy of $V_{p(\lambda)}^M$ by Schur's Lemma. One of the subspaces V is a copy of V_μ^K , and so $m_\mu(p(\lambda)) \geq 1$. This proves that the natural projection p maps the induced spectrum $P_G^+(\mu)$ of G inside the restricted spectrum $P_M^+(\mu)$ of M .

It remains to show that

$$p : P_G^+(\mu) \rightarrow P_M^+(\mu)$$

is onto for all $\mu \in F$. This follows from Proposition 3.6. \square

Proposition 3.6. *Let $\lambda \in P_G^+$, $\mu \in P_K^+$ and let $p : P_G^+ \rightarrow P_M^+$ be the natural projection. Then*

- $m_{\lambda+k\lambda_{\text{sph}}}^{G,K}(\mu) \leq m_{\lambda+s\lambda_{\text{sph}}}^{G,K}(\mu)$ if $k \leq s$ and
- $\lim_{n \rightarrow \infty} m_{\lambda+n\lambda_{\text{sph}}}^{G,K}(\mu) = m_\mu^{K,M}(p(\lambda))$.

Proof. Every irreducible K -representation that occurs in the K -module V_λ also occurs in the K -module $V_{\lambda+\lambda_{\text{sph}}}$. Indeed, let $v_K \in V_{\lambda_{\text{sph}}}$ be a non-zero K -fixed vector and consider the composition of $V_\lambda \rightarrow V_\lambda \otimes V_{\lambda_{\text{sph}}} : v \mapsto v \otimes v_K$ and the projection $V_\lambda \otimes V_{\lambda_{\text{sph}}} \rightarrow V_{\lambda+\lambda_{\text{sph}}}$. Both maps intertwine the K -action and the first statement follows.

For (G, K) a symmetric pair (even of arbitrary rank) the second statement is a result of Kostant [30, Thm. 3.5] and Wallach [42, Cor. 8.5.15]. For spherical pairs (G, K) a similar stability result is shown by Kitagawa [24, Cor. 4.10]. However, since we have control over the branching rules of the remaining non-symmetric pairs, we present our own proof.

Consider the triple $(G, K, M) = (G_2, \text{SU}(3), \text{SU}(2))$. Let $\lambda = n_1\varpi_1 + n_2\varpi_2 \in P_G^+$ with n_1 relatively large, $\mu = m_1\omega_1 + m_2\omega_2 \in P_K^+$ and $\nu = n_2p(\varpi_2) \in P_M^+$. On the one hand, we find

$$m_\lambda^{G,K}(\mu) = \min\{m_1 + 1, m_2 + 1, m_1 + m_2 - n_2 + 1, n_2 + 1\}$$

as is clear from the left side of Figure 2. Indeed $m_1 + 1$ comes from the distance of μ to the face $\mathbb{N}\omega_1$, and similarly $m_2 + 1$ for the face $\mathbb{N}\omega_2$. The expression $m_1 + m_2 - n_2 + 1$ comes from the middle linear constraint, while $n_2 + 1$ comes from the middle truncation. The other three constraints disappear as n_1 gets large. On the other hand we get

$$m_\mu^{K,M}(\nu) = \min\{n_2 + 1, \min\{m_1, m_2\} + 1, m_1 + m_2 - n_2 + 1\}$$

as easily checked from the familiar branching from $SU(3)$ to $SU(2)$. It follows that $m_\lambda^{G,K}(\mu) = m_\mu^{K,M}(\nu)$ for large n_1 .

The proof for the case $(Spin(7), G_2, SU(3))$ is postponed to the end of Section 4, where we discuss the branching rules that are needed. \square

4 The pair $(G, K) = (Spin(7), G_2)$

In this section we take $G = Spin(7)$ with complexified Lie algebra \mathfrak{g} of type B_3 . Let $\mathfrak{t}_G \cong \mathbb{C}^3$ be a Cartan subalgebra with positive roots R_G^+ given by

$$e_i - e_j, e_i + e_j, e_i$$

for $1 \leq i < j \leq 3$, and basis of simple roots $\alpha_1 = e_1 - e_2, \alpha_2 = e_2 - e_3, \alpha_3 = e_3$. The fundamental weights $\varpi_1 = e_1, \varpi_2 = e_1 + e_2, \varpi_3 = (e_1 + e_2 + e_3)/2$ are a basis over \mathbb{N} for the cone P_G^+ of dominant weights.

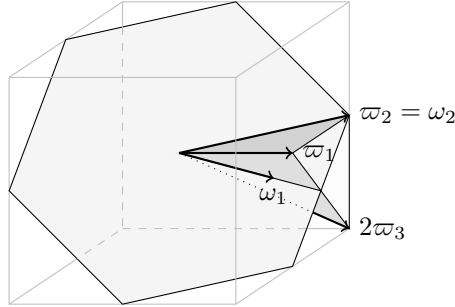


Figure 3: Fundamental weights for $Spin(7)$ and G_2 .

As the Cartan subalgebra \mathfrak{t}_K for $K = G_2$ we shall take the orthogonal complement of $h = (-e_1 + e_2 + e_3)$. The elements $e_1 + e_3, e_1 + e_2, e_2 - e_3$ are the long positive roots in R_K^+ , while

$$\epsilon_1 = (2e_1 + e_2 + e_3)/3, \epsilon_2 = (e_1 + 2e_2 - e_3)/3, \epsilon_3 = (e_1 - e_2 + 2e_3)/3$$

are the short positive roots in R_K^+ . The natural projection $q : R_G^+ \rightarrow P_K^+$ is a bijection onto the long roots and two to one onto the short roots in R_K^+ . Note

that $\epsilon_i = q(e_i)$ for $i = 1, 2, 3$. The simple roots in R_K^+ are $\{\beta_1 = \epsilon_3, \beta_2 = \epsilon_2 - \epsilon_3\}$ with corresponding fundamental weights $\{\omega_1 = \epsilon_1, \omega_2 = \epsilon_1 + \epsilon_2\}$. Observe that $\omega_1 = q(\varpi_1) = q(\varpi_3)$ and $\omega_2 = q(\varpi_2)$, and hence $q : P_G^+ \rightarrow P_K^+$ is a surjection. Note that the natural projection $q : P_G \rightarrow P_K$ is equivariant for the action of the Weyl group $W_M \cong \mathfrak{S}_3$ of the centralizer $M = \text{SU}(3)$ in K of h . The Weyl group W_G is the semidirect product of $C_2 \times C_2 \times C_2$ acting by sign changes on the three coordinates and the permutation group \mathfrak{S}_3 .

As a set with multiplicities we have

$$A = q(R_G^+) - R_K^+ = \{\epsilon_1, \epsilon_2, \epsilon_3\}$$

whose partition function p_A enters in the formula for the branching from B_3 to G_2 . Note that $p_A(k\epsilon_1 + l\epsilon_2) = p_A(k\epsilon_1 + m\epsilon_3) = k + 1$ for $k, l, m \in \mathbb{N}$ and $p_A(\mu) = 0$ otherwise.

Lemma 4.1. *For $\lambda \in P_G^+$ and $\mu \in P_K^+$ the multiplicity $m_\lambda^{G,K}(\mu) \in \mathbb{N}$ with which an irreducible representation of K with highest weight μ occurs in the restriction to K of an irreducible representation of G with highest weight λ is given by*

$$m_\lambda^{G,K}(\mu) = \sum_{w \in W_G} \det(w) p_A(q(w(\lambda + \rho_G) - \rho_G) - \mu)$$

and if we extend $m_\lambda^{G,K}(\mu) \in \mathbb{Z}$ by this formula for all $\lambda \in P_G$ and $\mu \in P_K$ then

$$m_{w(\lambda + \rho_G) - \rho_G}^{G,K}(v(\mu + \rho_K) - \rho_K) = \det(w) \det(v) m_\lambda^{G,K}(\mu)$$

for all $w \in W_G$ and $v \in W_K$. Here ρ_G and ρ_K are the Weyl vectors of R_G^+ and R_K^+ respectively.

This lemma was obtained in Heckman [21] as a direct application of the Weyl character formula. The above type formula, valid for any pair $K < G$ of connected compact Lie groups [21], might be cumbersome for practical computations of the multiplicities, because of the (possibly large) alternating sum over a Weyl group W_G and the piecewise polynomial behaviour of the partition function. However in the present (fairly small) example one can proceed as follows.

If $\lambda = k\varpi_1 + l\varpi_2 + m\varpi_3 = klm = (x, y, z)$ with

$$x = k + l + m/2, y = l + m/2, z = m/2 \Leftrightarrow k = x - y, l = y - z, m = 2z$$

then λ is dominant if $k, l, m \geq 0$ or equivalently $x \geq y \geq z \geq 0$. We tabulate the 8 elements $w_1, \dots, w_8 \in W_G$ such that the projection $q(w_i\lambda) \in \mathbb{N}\epsilon_1 + \mathbb{N}\epsilon_2$ is

dominant for R_M^+ for all λ which are dominant for R_G^+ . Clearly the projection of (x, y, z) is given by

$$q(x, y, z) = x\epsilon_1 + y\epsilon_2 + z\epsilon_3 = (x + z)\epsilon_1 + (y - z)\epsilon_2$$

and $\rho_G = \varpi_1 + \varpi_2 + \varpi_3 = (2\frac{1}{2}, 1\frac{1}{2}, \frac{1}{2})$ is the Weyl vector for R_G^+ .

i	$\det(w_i)$	$w_i\lambda$	$q(w_i\lambda)$	$q(w_i\rho_G - \rho_G)$
1	+	(x, y, z)	$(x + z)\epsilon_1 + (y - z)\epsilon_2$	0
2	-	$(x, y, -z)$	$(x - z)\epsilon_1 + (y + z)\epsilon_2$	$-\epsilon_3$
3	+	$(x, z, -y)$	$(x - y)\epsilon_1 + (y + z)\epsilon_2$	$-\epsilon_1 - \epsilon_3$
4	-	$(x, -z, -y)$	$(x - y)\epsilon_1 + (y - z)\epsilon_2$	$-\epsilon_1 - \epsilon_2 - \epsilon_3$
5	-	(y, x, z)	$(y + z)\epsilon_1 + (x - z)\epsilon_2$	$-\epsilon_3 + 0$
6	+	$(y, x, -z)$	$(y - z)\epsilon_1 + (x + z)\epsilon_2$	$-\epsilon_3 - \epsilon_3$
7	+	(z, x, y)	$(y + z)\epsilon_1 + (x - y)\epsilon_2$	$-\epsilon_3 - \epsilon_2$
8	-	$(-z, x, y)$	$(y - z)\epsilon_1 + (x - y)\epsilon_2$	$-\epsilon_3 - \epsilon_1 - \epsilon_2$

Table 2: Projection of $w\lambda$ in P_M^+ .

In the picture below the location of the points $q(w_i\lambda) \in P_M^+$, indicated by the number i , with the sign of $\det(w_i)$ attached, is drawn. Observe that $q(w_1\lambda) = (k + m)\omega_1 + l\omega_2 \in P_K^+$ for all $\lambda = klm \in P_G^+$.

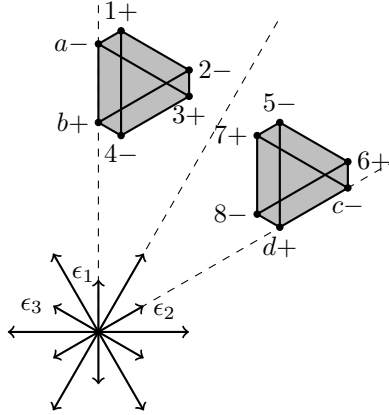


Figure 4: Projection of $W_G\lambda$ onto P_M^+ .

Let us denote $a = (k + l + m)\epsilon_1$ and $b = (k + l)\epsilon_1$, and so these two points together with the four points $q(w_i\lambda)$ for $i = 1, 2, 3, 4$ form the vertices of a

hexagon with three pairs of parallel sides. In the picture we have drawn all six vertices in P_K^+ , which happens if and only if $q(w_3\lambda) = k\epsilon_1 + (l+m)\epsilon_2 \in P_K^+$, or equivalently if $k \geq (l+m)$. But in general some of the $q(w_i\lambda) \in P_M^+$ for $i = 2, 3, 4$ might lie outside P_K^+ . Indeed $q(w_2\lambda) = (k+l)\epsilon_1 + (l+m)\epsilon_2$ lies outside P_K^+ if $k < m$, and $q(w_4\lambda) = k\epsilon_1 + l\epsilon_2$ lies outside P_K^+ if $k < l$.

For fixed $\lambda \in P_G^+$ the sum $m_\lambda(\mu)$ of the following six partition functions as a function of $\mu \in P_K$

$$\sum_1^4 \det(w)p_A(q(w_i(\lambda + \rho_G) - \rho_G) - \mu) - p_A(a - \epsilon_2 - \mu) + p_A(b - \epsilon_1 - \epsilon_2 - \mu)$$

is just the familiar multiplicity function for the weight multiplicities of the root system A_2 . It vanishes outside the hexagon with vertices a, b and $q(w_i\lambda)$ for $i = 1, 2, 3, 4$. On the outer shell hexagon it is equal to 1, and it steadily increases by 1 for each inner shell hexagon, until the hexagon becomes a triangle, and from that moment on it stabilizes on the inner triangle. The two partition functions we have added corresponding to the points a and b are invariant as a function of μ for the action $\mu \mapsto s_2(\mu + \rho_K) - \rho_K$ of the simple reflection $s_2 \in W_K$ with mirror $\mathbb{R}\omega_1$, because $s_2(A) = A$. In order to obtain the final multiplicity function

$$\mu \mapsto m_\lambda^{G,K}(\mu) = \sum_{v \in W_K} \det(v)m_\lambda(v(\mu + \rho_K) - \rho_K)$$

for the branching from G to K we have to antisymmetrize for the shifted by ρ_K action of W_K . Note that the two additional partition functions and their transforms under W_K all cancel because of their symmetry and the antisymmetrization. For $\mu \in P_K^+$ the only terms in the sum over $v \in W_K$ that have a nonzero contribution are those for $v = e$ the identity element and $v = s_1$ the reflection with mirror $\mathbb{R}\omega_2$, and we arrive at the following result.

Theorem 4.2. *For $\lambda \in P_G^+$ and $\mu \in P_K^+$ the branching multiplicity from $G = \text{Spin}(7)$ to $K = G_2$ is given by*

$$m_\lambda^{G,K}(\mu) = m_\lambda(\mu) - m_\lambda(s_1\mu - \epsilon_3) \quad (4.1)$$

with m_λ the weight multiplicity function of type A_2 as given by the above alternating sum of the six partition functions.

Indeed, we have $s_1(\mu + \rho_K) - \rho_K = s_1\mu - \epsilon_3$. As before, we denote $klm = k\varpi_1 + l\varpi_2 + m\varpi_3$ and $kl = k\omega_1 + l\omega_2$ with $k, l, m \in \mathbb{N}$ for the highest weight of irreducible representations of G and K respectively. For $\mu \in \mathbb{N}\omega_1$ the multiplicities $m_\lambda^{G,K}(\mu)$ are only governed by the first term on the right hand side of (4.1)

with $v = e$ and so are equal to 1 for $\mu = n0$ with $n = (k+l), \dots, (k+l+m)$ and 0 elsewhere. Indeed, $\mu = n0$ has multiplicity one if and only if it is contained in the segment from $b = (k+l)\epsilon_1$ to $a = (k+l+m)\epsilon_1$. This proves to following statement.

Corollary 4.3. *The fundamental representation of G with highest weight $\lambda = 001$ is the spin representation of dimension 8 with K -types $\mu = 10$ and $\mu = 00$. It is the fundamental spherical representation for the Gelfand pair (G, K) . The irreducible spherical representations of G have highest weights $00m$ with K -spectrum the set $\{n0; 0 \leq n \leq m\}$.*

Corollary 4.4. *For any irreducible representation of G with highest weight $\lambda = klm$ all K -types with highest weight $\mu \in F_1 = \mathbb{N}\omega_1$ are multiplicity free, and the K -type with highest weight $\mu = n0$ has multiplicity one if and only if $(k+l) \leq n \leq (k+l+m)$. The domain of those $\lambda = klm$ for which the K -type $\mu = n0$ occurs has a well shape $P_G^+(n0) = B(n0) + \mathbb{N}001$ with bottom*

$$B(n0) = \{klm \in P_G^+; k+l+m = n\}$$

given by a single linear relation.

Proof. The multiplicity freeness and the bounds for n follow from Theorem 4.2 and in turn these inequalities $n \leq k+l+m$ imply the formulae for $B(n0)$ and $P_G^+(n0)$. \square

This ends our discussion that $(G, K, F_1 = \mathbb{N}\omega_1)$ is a multiplicity free system. In order to show that $(G, K, F_2 = \mathbb{N}\omega_2)$ is also a multiplicity free triple we shall carry out a similar analysis.

Corollary 4.5. *For an irreducible representation of G with highest weight $\lambda = klm$ all K -types with highest weight $\mu \in F_2 = \mathbb{N}\omega_2$ are multiplicity free, and the K -type with highest weight $\mu = 0n$ has multiplicity one if and only if $\max(k, l) \leq n \leq \min(k+l, l+m)$. The domain of those $\lambda = klm$ for which the K -type $\mu = 0n$ occurs has a well shape $P_G^+(0n) = B(0n) + \mathbb{N}001$ with bottom*

$$B(0n) = \{klm \in P_G^+; m \leq k \leq n, l+m = n\}$$

given by a single linear relation and inequalities.

Proof. Under the assumption of the first part of this proposition $klm \in P_G^+(0n)$ implies that $kl(m+1) \in P_G^+(0n)$, and the bottom $B(0n)$ of those $klm \in P_G^+(0n)$ for which $kl(m-1) \notin P_G^+(0n)$ contains klm if and only if $n = l+m$ and $k \geq m$. It remains to show the first part of the proposition.

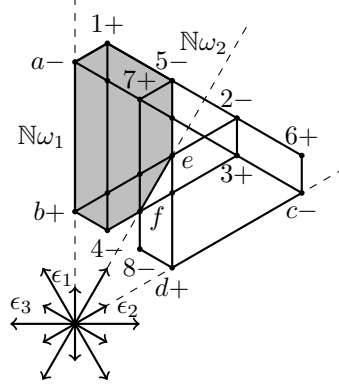


Figure 5: Support of the multiplicity function $\mu \mapsto m_\lambda^{G,K}(\mu)$.

In order to determine the K -spectrum associated to the highest weight $\lambda = klm \in \mathbb{N}^3$ for G observe that

$$q(w_3\lambda) = k\epsilon_1 + (l+m)\epsilon_2$$

and so the K -spectrum on $\mathbb{N}\omega_2$ is empty for $k > (l+m)$, while for $k = (l+m)$ the K -spectrum has a unique point $k\omega_2$ on $\mathbb{N}\omega_2$. If $k < (l+m)$ the point $q(w_3\lambda)$ moves out of the dominant cone P_K^+ into $P_M^+ - P_K^+$, and the support of the function $P_K^+ \ni \mu \mapsto m_\lambda^{G,K}(\mu)$ consists of (the integral points of) a heptagon with an additional side on $\mathbb{N}\omega_2$ from e to f as in the picture above. On the outer shell heptagon the multiplicity is one, and the multiplicities increase by one for each inner shell heptagon, until the heptagon becomes a triangle or quadrangle, and it stabilizes. This follows from Theorem 4.2 in a straightforward way.

Depending on whether the vertex

$$q(w_2\lambda) = (k+l)\epsilon_1 + (l+m)\epsilon_2$$

lies in P_K^+ (for $k \geq m$) or in $P_M^+ - P_K^+$ (for $k < m$) we get $e = (l+m)\omega_2$ or $e = (k+l)\omega_2$ respectively. Hence we find

$$e = \min(k+l, l+m)\omega_2, \quad f = \max(k, l)\omega_2$$

by a similar consideration for

$$q(w_4\lambda) = k\epsilon_1 + l\epsilon_2$$

as before ($f = k$ for $k \geq l$ and $f = l$ for $k < l$). This finishes the proof of Corollary 4.5. \square

Our choice of positive roots for $G = B_3$ and $K = G_2$ was made in such a way that the dominant cone P_K^+ for K was contained in the dominant cone P_G^+ for G . In turn this implies that the set

$$A = q(R_G^+) - R_K^+ = \{\epsilon_1, \epsilon_1, \epsilon_3\}$$

lies in an open half plane, which was required for the application of the branching rule of Lemma 4.1.

However, we now switch to a different positive system in R_G , or rather we keep R_G^+ fixed as before, but take the Lie algebra \mathfrak{k} of G_2 to be perpendicular to the spherical direction $\varpi_3 = (e_1 + e_2 + e_3)/2$ instead. Under this assumption the positive roots R_M^+ form a parabolic subsystem in R_G^+ , and so the simple roots $\{\alpha_1 = e_1 - e_2, \alpha_2 = e_2 - e_3\}$ of R_M^+ are also simple roots in R_G^+ .

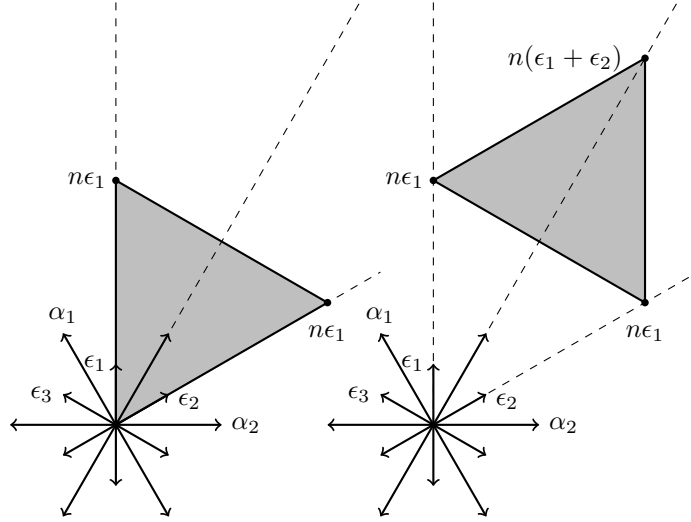


Figure 6: Projections of the bottoms B_{n0} and B_{0n} .

Let $p : P_G \rightarrow P_M = P_K$ be the orthogonal projection along the spherical direction. By abuse of notation we denote (with $p(\varpi_3) = 0$)

$$\epsilon_1 = p(\varpi_1) = (2, -1, -1)/3, \quad \epsilon_2 = p(\varpi_2) = (1, 1, -2)/3$$

for the fundamental weights for $P_M^+ = p(P_G^+)$. It is now easy to check that this

projection

$$p : B(n0) \rightarrow p(B(n0)) , p : B(0n) \rightarrow p(B(0n))$$

is a bijection from the bottom onto its image in P_M^+ . In the Figure 6 we have drawn the projections

$$p(B(n0)) = \{k\epsilon_1 + l\epsilon_2; k + l \leq n\} , p(B(0n)) = \{k\epsilon_1 + l\epsilon_2; k, l \leq n, k + l \geq n\}$$

on the left and the right side respectively.

Let us now prove the remaining case of Proposition 3.6. Consider $\lambda = klm \in P_G^+$. We take $x = k + l + m/2, y = l + m/2, z = m/2$ with m relatively large. The projections of the elements $w\lambda$ that land in P_M^+ are given in Table 3.

i	$w_i\lambda$	$q(w_i\lambda)$	$q(w_i\lambda)$
1	(x, y, z)	$(x + z)\epsilon_1 + (y - z)\epsilon_2$	$(k + l + m)\epsilon_1 + l\epsilon_2$
2	$(x, y, -z)$	$(x - z)\epsilon_1 + (y + z)\epsilon_2$	$(k + l)\epsilon_1 + (l + m)\epsilon_2$
3	$(x, z, -y)$	$(x - y)\epsilon_1 + (y + z)\epsilon_2$	$k\epsilon_1 + (l + m)\epsilon_2$
4	$(x, -z, -y)$	$(x - y)\epsilon_1 + (y - z)\epsilon_2$	$k\epsilon_1 + l\epsilon_2$
5	(y, x, z)	$(y + z)\epsilon_1 + (x - z)\epsilon_2$	$(l + m)\epsilon_1 + (k + l)\epsilon_2$
6	$(y, x, -z)$	$(y - z)\epsilon_1 + (x + z)\epsilon_2$	$l\epsilon_1 + (k + l + m)\epsilon_2$
7	(z, x, y)	$(y + z)\epsilon_1 + (x - y)\epsilon_2$	$(l + m)\epsilon_1 + k\epsilon_2$
8	$(-z, x, y)$	$(y - z)\epsilon_1 + (x - y)\epsilon_2$	$l\epsilon_1 + k\epsilon_2$

Table 3: Projections of $w\lambda$ in P_M^+ .

As m gets large the points $q(w_i\lambda)$ run to infinity except for $i = 4$ and $i = 8$. This means that we should take for $\nu = p(\lambda) = q(w_4\lambda)$ if we pick $i = 4$. The multiplicity behavior $m_\lambda^{G,K}(\mu)$ in Picture 5 for $m \rightarrow \infty$ goes as a function of $\mu \in P_K^+ = \mathbb{N}\omega_1 + \mathbb{N}\omega_2$ to the function that gives the multiplicity of μ induced representation $\text{Ind}_M^K(V_\nu^M)$ from $M = \text{SU}(3)$ to $K = \text{G}_2$, and therefore by Frobenius reciprocity equals $m_\mu^{K,M}(\nu)$. This shows that $\lim_{m \rightarrow \infty} m_\lambda^{G,K}(\mu) = m_\mu^{K,M}(\nu)$.

The weights of the fundamental spherical representation with highest weight $\lambda_{\text{sph}} = \varpi_3$ are $\frac{1}{2}(\pm\epsilon_1 \pm \epsilon_2 \pm \epsilon_3)$. Expressed in terms of fundamental weights these become

$$001, (-1)01, 1(-1)1, 01(-1)$$

and their negatives. It follows from Corollaries 4.4 and 4.5 that Theorem 1.2 holds true for this case.

5 The pair $(G, K) = (\mathrm{USp}(2n), \mathrm{USp}(2n-2) \times \mathrm{USp}(2))$

Let $G = \mathrm{USp}(2n)$ and $K = \mathrm{USp}(2n-2) \times \mathrm{USp}(2)$ with $n \geq 3$. The weight lattices of G and K are equal, $P = \mathbb{Z}^n$, and we denote by ϵ_i the i -th basis vector. The set of dominant weights for G is $P_G^+ = \{(a_1, \dots, a_n) \in P : a_1 \geq \dots \geq a_n \geq 0\}$. The set of dominant weights for K is $P_K^+ = \{(b_1, \dots, b_n) \in P : b_1 \geq \dots \geq b_{n-1} \geq 0, b_n \geq 0\}$. The branching rule from G to K is due to Lepowsky [34], [25, Thm. 9.50].

Theorem 5.1 (Lepowsky). *Let $\lambda = (a_1, \dots, a_n) \in P_G^+$ and $\mu = (b_1, \dots, b_n) \in P_K^+$. Define $A_1 = a_1 - \max(a_2, b_1)$, $A_k = \min(a_k, b_{k-1}) - \max(a_{k+1}, b_k)$ for $2 \leq k \leq n-1$ and $A_n = \min(a_n, b_{n-1})$. The multiplicity $m_\lambda^{G,K}(\mu) = 0$ unless all $A_i \geq 0$ and $b_n + \sum_{i=1}^n A_i \in 2\mathbb{Z}$. In this case the multiplicity is given by*

$$m_\lambda^{G,K}(\mu) = p_\Sigma(A_1\epsilon_1 + A_2\epsilon_2 + \dots + (A_n - b_n)\epsilon_n) - p_\Sigma(A_1\epsilon_1 + A_2\epsilon_2 + \dots + (A_n + b_n + 2)\epsilon_n) \quad (5.1)$$

where p_Σ is the multiplicity function for the set $\Sigma = \{\epsilon_i \pm \epsilon_n : 1 \leq i \leq n-1\}$.

Theorem 5.2. *Let $\mu = x\omega_i + y\omega_j \in P_K^+$ with $i < j$ and write $\mu = (b_1, \dots, b_n)$. Let $\lambda = (a_1, \dots, a_n) \in P_G^+$. Let A_1, \dots, A_n be defined as in Theorem 5.1. Then $m_\lambda^{G,K}(\mu) \leq 1$ with equality precisely when (1) $A_k \geq 0$ for $k = 1, \dots, n-1$, (2) $b_n + \sum_{k=1}^n A_k \in 2\mathbb{Z}$ and (3) $\max(A_k, b_n) \leq \frac{1}{2}(b_n + \sum_{k=1}^n A_k)$.*

Proof. Suppose that $m_\lambda^{G,K}(\mu) \geq 1$. Then (1) and (2) follow from Theorem 5.1. In fact, $A_k = 0$ unless $k \in \{1, i+1, j+1\} \cap [1, n]$, because of the hypothesis on μ . We evaluate (5.1) below, showing that $m_\lambda^{G,K}(\mu) \leq 1$ with equality precisely when (3) holds.

We distinguish 4 cases: (i) $j < n-1$, (ii) $j = n-1$, (iii) $j = n, i = n-1$, (iv) $j = n, i < n-1$. In all cases we reduce to $n = 4$ and we find the following expressions for $m_\lambda^{G,K}(\mu)$:

$$(i) \quad p_\Sigma(A_1\epsilon_1 + A_2\epsilon_2 + A_3\epsilon_3) - p_\Sigma(A_1\epsilon_1 + A_2\epsilon_2 + A_3\epsilon_3 + 2\epsilon_4),$$

$$(ii) \quad p_\Sigma(A_1\epsilon_1 + A_2\epsilon_2 + A_4\epsilon_4) - p_\Sigma(A_1\epsilon_1 + A_2\epsilon_2 + (A_4 + 2)\epsilon_4),$$

$$(iii) \quad p_\Sigma(A_1\epsilon_1 + (A_4 - b_4)\epsilon_4) - p_\Sigma(A_1\epsilon_1 + (A_4 + b_4 + 2)\epsilon_4),$$

$$(iv) \quad p_\Sigma(A_1\epsilon_1 + A_2\epsilon_2 - b_4\epsilon_4) - p_\Sigma(A_1\epsilon_1 + A_2\epsilon_2 + (b_4 + 2)\epsilon_4).$$

The cases (ii) and (iv) reduce to (i) using elementary manipulations of partition functions, see [25, p. 588]. Case (iii) can also be reduced to (i) but this is not necessary as we can handle this case directly. We have $p_\Sigma(A_1\epsilon_1 + (A_4 - b_4)\epsilon_4) \leq 1$

with equality if and only if $A_1 + A_4 - b_4 \in 2\mathbb{N}$ and $A_1 - A_4 + b_4 \in 2\mathbb{N}$. Similarly $p_{\Xi}(A_1\epsilon_1 + (A_4 + b_4 + 2)\epsilon_4) \leq 1$ with equality if and only if $A_1 + A_4 + b_4 + 2 \in 2\mathbb{N}$ and $A_1 - A_4 - b_4 - 2 \in 2\mathbb{N}$. This implies the assertion in case (iii).

In case (i) we have

$$\sum_{k=1}^3 A_k \epsilon_k = \sum_{k=1}^3 B_k (\epsilon_k + \epsilon_4) + \sum_{k=1}^3 (A_k - B_k) (\epsilon_k - \epsilon_4)$$

if and only if $\sum_{i=1}^3 B_k = A$. It follows that

$$p_{\Sigma}(A_1\epsilon_1 + A_2\epsilon_2 + A_3\epsilon_3) = \#\{(B_1, B_2, B_3) \in \mathbb{N}^3 : \sum_{k=1}^3 B_k = A \text{ and } B_k \leq A_k\}$$

and similarly

$$p_{\Sigma}(A_1\epsilon_1 + A_2\epsilon_2 + A_3\epsilon_3 + 2\epsilon_4) = \#\{(B_1, B_2, B_3) \in \mathbb{N}^3 : \sum_{k=1}^3 B_k = A + 1 \text{ and } B_k \leq A_k\}. \quad (5.2)$$

Assume that $A_1 \geq A_2 \geq A_3$. We distinguish two possibilities: (1) $A_1 \leq A$ and (2) $A_1 > A$. In case (1) we have

$$p_{\Sigma}\left(\sum_{i=1}^3 A_i \epsilon_i\right) = \#\{\text{lattice points in hexagon indicated in Figure 7}\}$$

which is given by

$$p_{\Sigma}\left(\sum_{i=1}^3 A_i \epsilon_i\right) = (A + 1)(A + 2)/2 - \sum_{i=1}^3 (A - A_i)(A - A_i + 1)/2.$$

Similarly

$$p_{\Sigma}\left(\sum_{i=1}^3 A_i \epsilon_i + 2\epsilon_4\right) = (A + 2)(A + 3)/2 - \sum_{i=1}^3 (A + 1 - A_i)(A - A_i + 2)/2$$

and the difference is one, as was to be shown.

In case (2) where $A_1 > A$ we have

$$p_{\Sigma}\left(\sum_{i=1}^3 A_i \epsilon_i\right) = \#\{\text{lattice points in parallelogram in Figure 7}\}$$

which is given by $A_2 A_3$. Similarly $p_{\Sigma}\left(\sum_{i=1}^3 A_i \epsilon_i + 2\epsilon_4\right) = A_2 A_3$ and hence the difference is zero. \square

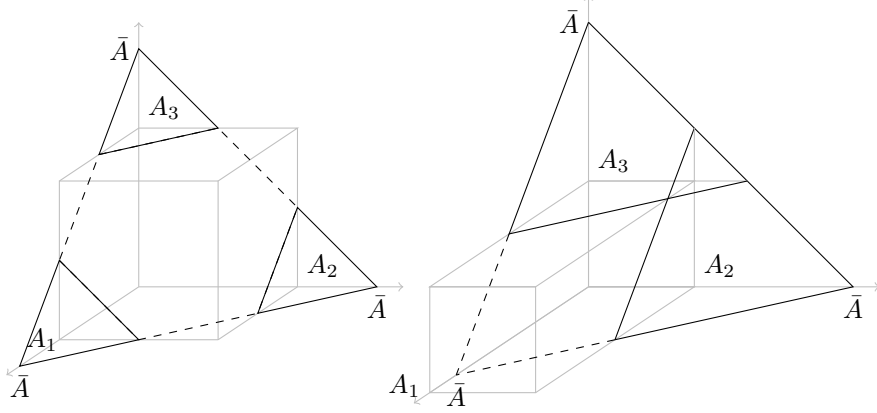


Figure 7: Counting integral points.

The bottom $B(\mu)$ of the μ -well $P_G^+(\mu)$ is parametrized by $P_M^+(\mu)$, where $M \cong \mathrm{USp}(2) \times \mathrm{USp}(2n-4) \times \mathrm{USp}(2)$. In [1] the branching rules for K to M are described. The dominant integral weights for M are parametrized by $P_M^+ = \{(c_1, c_2, \dots, c_{n-1}, c_1) : 2c_1 \in \mathbb{N}, c_2 \geq \dots \geq c_{n-1}\} \subset P$. The map $p : P_G^+ \rightarrow P_M^+$ from Proposition 3.5 is given as follows. Write $\lambda = (a_1, \dots, a_n) \in P_G^+$ as

$$\lambda = \left(\lambda - \frac{a_1 + a_2}{2} \lambda_{\mathrm{sph}}\right) + \frac{a_1 + a_2}{2} \lambda_{\mathrm{sph}}, \quad (5.3)$$

with $\lambda_{\mathrm{sph}} = \varpi_2 = \epsilon_1 + \epsilon_2$. Then $p(\lambda) = (\frac{1}{2}(a_1 + a_2), a_3, \dots, a_{n-1}, \frac{1}{2}(a_1 + a_2)) \in P_M^+$. The map $q : P \rightarrow P : \lambda \mapsto \lambda - (a_1 + a_2)\lambda_{\mathrm{sph}}/2$ projects onto the orthocomplement of λ_{sph} and the maps p and q differ by a Weyl group element in W_G . To determine the bottom $B(\mu)$ we have to find for each $\lambda \in P_G^+(\mu)$ the minimal $d \in \frac{1}{2}\mathbb{N}$ for which $q(\lambda) + d\lambda_{\mathrm{sph}} \in P_G^+(\mu)$. We distinguish two cases for the K -type $\mu = x\omega_i + y\omega_j = (b_1, \dots, b_n)$, $i < j$: (1) $i = 1$, (2) $i > 1$. Assume (1). Then the relevant inequalities are $A_1 \geq 0, A_2 \geq 0$ and $A_1 + A_2 \geq B$, with B equal to A_{j+1} or y , depending on $j < n$ or $j = n$ respectively. Plugging in $\lambda = q(\lambda) + d\lambda_{\mathrm{sph}}$ and minimizing for d yields

$$d = \max(b_1 - c_1, b_2 + c_1, \frac{1}{2}(b_1 + B + \max(a_3, b_2))),$$

where $c_1 = (a_1 - a_2)/2$. The branching rules for K to M specialized to the specific choice of μ implies that $d = \frac{1}{2}(b_1 + B + \max(a_3, b_2))$ (see [38]). Assume (2). The relevant inequality is $A_1 \geq 0$. Since $i > 1$ we have $b_1 = b_2$ so $A_1 = a_1 - a_2$, which is invariant for adding multiples of λ_{sph} . We plug in

$q(\lambda) + d\lambda_{\text{sph}}$ and write $c_1 = (a_1 - a_2)/2$. Minimizing d so that $A_k \geq 0$ yields $d = c_1 + b_1$.

The weights of the fundamental spherical representation of highest weight $\lambda_{\text{sph}} = \epsilon_1 + \epsilon_2$ are $\{\pm\epsilon_i \pm \epsilon_j : i < j\} \cup \{0\}$. One easily checks that Theorem 1.2 holds true for this case.

6 The pair $(G, K) = (F_4, \text{Spin}(9))$

In this section we take G of type F_4 and $K = \text{Spin}(9)$ the subgroup of type B_4 . Let $H \subset K \subset G$ be the standard maximal torus and let $\mathfrak{g}, \mathfrak{k}, \mathfrak{h}$ denote the corresponding Lie algebras. We fix the set of positive roots of the root systems $\Delta(\mathfrak{g}, \mathfrak{h})$ and $\Delta(\mathfrak{k}, \mathfrak{h})$,

$$R_K^+ = \{\epsilon_i \pm \epsilon_j | 1 \leq i < j \leq 4\} \cup \{\epsilon_i | 1 \leq i \leq 4\},$$

$$R_G^+ = R_K^+ \cup \left\{ \frac{1}{2}(\epsilon_1 \pm \epsilon_2 \pm \epsilon_2 \pm \epsilon_2) \right\}.$$

The corresponding systems of simple roots are

$$\Pi_G = \left\{ \alpha_1 = \frac{1}{2}(\epsilon_1 - \epsilon_2 - \epsilon_3 - \epsilon_4), \alpha_2 = \epsilon_4, \alpha_3 = \epsilon_3 - \epsilon_4, \alpha_4 = \epsilon_2 - \epsilon_3 \right\},$$

$$\Pi_K = \{\beta_1 = \epsilon_1 - \epsilon_2, \beta_2 = \epsilon_2 - \epsilon_3, \beta_3 = \epsilon_3 - \epsilon_4, \beta_4 = \epsilon_4\},$$

see also the Dynkin diagram in Figure 8.



Figure 8: The Dynkin diagrams of F_4 and B_4 .

The fundamental weights corresponding to Π_G are given by

$$\varpi_1 = \epsilon_1, \varpi_2 = \frac{1}{2}(3\epsilon_1 + \epsilon_2 + \epsilon_3 + \epsilon_4), \varpi_3 = 2\epsilon_1 + \epsilon_2 + \epsilon_3, \varpi_4 = \epsilon_1 + \epsilon_2$$

and those corresponding to Π_K by

$$\omega_1 = \epsilon_1, \omega_2 = \epsilon_1 + \epsilon_2, \omega_3 = \epsilon_1 + \epsilon_2 + \epsilon_3, \omega_4 = \frac{1}{2}(\epsilon_1 + \epsilon_2 + \epsilon_3 + \epsilon_4).$$

The lattices of integral weights of G and K are the same and equal to $P = \mathbb{Z}^4 \cup ((1/2, 1/2, 1/2, 1/2) + \mathbb{Z}^4)$ and the sets of dominant integral weights are denoted by P_G^+ and P_K^+ .

Theorem 6.1. *There are three faces F of K such that $m_\lambda^{G,K}(\mu) \leq 1$ for all $\lambda \in P_G^+$ and all $\mu \in F$: the two dimensional face spanned by $\{\omega_1, \omega_2\}$ and two one dimensional faces, spanned by ω_3 and ω_4 respectively.*

This result has been obtained in [20] as part of a classification. Another proof is given in [37, Lem. 2.2.10].

The pair (G, K) is a symmetric pair and choosing the maximal anisotropic torus $T \subset G$ (a circle group) as in [1] we have $Z_K(T) = M \cong \text{Spin}(7)$, where the embedding $\text{Spin}(7) \rightarrow \text{Spin}(8)$ is twisted:

$$\mathfrak{so}(7, \mathbb{C}) \subset \mathfrak{so}(8, \mathbb{C}) \xrightarrow{\tau} \mathfrak{so}(8, \mathbb{C}) \subset \mathfrak{so}(9, \mathbb{C}), \quad (6.1)$$

with τ the automorphism that interchanges the roots $\epsilon_1 - \epsilon_2$ and $\epsilon_3 - \epsilon_4$, see [1]. We fix the maximal torus $\mathfrak{h}_M = \mathfrak{m} \cap \mathfrak{h}$ and choose the positive roots $\Delta(\mathfrak{m}, \mathfrak{h}_M)$ such that the set of simple roots equals

$$\Pi_M = \{\delta_1 = \epsilon_3 - \epsilon_4, \delta_2 = \epsilon_2 - \epsilon_3, \delta_3 = \frac{1}{2}(\epsilon_1 - \epsilon_2 + \epsilon_3 + \epsilon_4)\}.$$

The corresponding fundamental weights are given by

$$\eta_1 = \frac{1}{2}(\epsilon_1 + \epsilon_2 + \epsilon_3 - \epsilon_4), \eta_2 = \epsilon_1 + \epsilon_2, \eta_3 = \frac{1}{4}(3\epsilon_1 + \epsilon_2 + \epsilon_3 + \epsilon_4).$$

The spherical weight is $\lambda_{\text{sph}} = \varpi_1$. We want to calculate the map $P_G^+ \rightarrow P_M^+$, but λ_{sph} is not perpendicular to P_M^+ . Hence we pass to another Weyl chamber, and project along the new spherical direction, which is perpendicular to P_M^+ . Choose a Weyl group element $w_M \in W_G$ such that the Weyl chamber $w_M P_G^+$ has the following properties: (1) $w_M \lambda_{\text{sph}} \perp P_M$ and (2) the projection along $w_M \lambda_{\text{sph}}$ induces a map $w_M P_G^+ \rightarrow P_M^+$. We ask Mathematica [45] to go through the list of Weyl group elements and test for these properties. We find two Weyl group elements, w_M and $s_1 w_M$, where

$$w_M = \begin{pmatrix} \frac{1}{2} & \frac{1}{2} & \frac{1}{2} & \frac{1}{2} \\ -\frac{1}{2} & \frac{1}{2} & \frac{1}{2} & -\frac{1}{2} \\ -\frac{1}{2} & \frac{1}{2} & -\frac{1}{2} & \frac{1}{2} \\ -\frac{1}{2} & -\frac{1}{2} & \frac{1}{2} & \frac{1}{2} \end{pmatrix} \quad (6.2)$$

with respect to the basis $\{\epsilon_1, \epsilon_2, \epsilon_3, \epsilon_4\}$.

Lemma 6.2. *Let $q : P_G^+ \rightarrow P_M^+$ be given by $q(\lambda) = w_M(\lambda)|_{\mathfrak{h}_M}$, where w_M is given by (6.2). Then $q(P_G^+(\mu)) = P_M^+(\mu)$ and $q(\sum_{i=1}^4 \lambda_i \varpi_i) = \lambda_4 \eta_1 + \lambda_3 \eta_2 + \lambda_2 \eta_3$.*

Proof. The surjectivity is implied by Proposition 3.6. The calculation involves a base change for w_M with basis $\{\eta_1, \eta_2, \eta_3, \alpha_1\}$ and follows readily. \square

It follows that $\lambda = \lambda_1\varpi_1 + \lambda_2\varpi_2 + \lambda_3\varpi_3 + \lambda_4\varpi_4 \in P_G^+(\mu)$ implies that $\lambda_4\eta_1 + \lambda_3\eta_2 + \lambda_2\eta_3 \in P_M^+(\mu)$. The branching rule $\text{Spin}(9) \rightarrow \text{Spin}(7)$ is described in [1, Thm. 6.3] and we recall it for our special choices of μ . It is basically the same as branching $B_4 \downarrow D_4 \downarrow B_3$ via interlacing, see e.g. [25, Thm. 9.16], but on the D_4 -level we have to interchange the coefficients of the first and the third fundamental weight.

Proposition 6.3. *The spectrum $P_M^+(\mu)$ is given by the following inequalities.*

- Let $\mu = \mu_1\omega_1 + \mu_2\omega_2$. Then $\lambda_4\eta_1 + \lambda_3\eta_2 + \lambda_2\eta_3 \in P_M^+(\mu)$ if and only if

$$\begin{aligned}\lambda_2 + \lambda_3 + \lambda_4 &\leq \mu_1 + \mu_2, \\ \lambda_3 + \lambda_4 &\leq \mu_2 \leq \lambda_2 + \lambda_3 + \lambda_4.\end{aligned}$$

- Let $\mu = \mu_2\omega_3$. Then $\lambda_4\eta_1 + \lambda_3\eta_2 + \lambda_2\eta_3 \in P_M^+(\mu)$ if and only if

$$\begin{aligned}\lambda_2 + \lambda_3 &\leq \mu_3, \\ \lambda_3 + \lambda_4 &\leq \mu_3 \leq \lambda_2 + \lambda_3 + \lambda_4.\end{aligned}$$

- Let $\mu = \mu_4\omega_4$. Then $\lambda_4\eta_1 + \lambda_3\eta_2 + \lambda_2\eta_3 \in P_M^+(\mu)$ if and only if

$$\begin{aligned}\lambda_3 &= 0, \\ \lambda_2 + \lambda_4 &\leq \mu_4.\end{aligned}$$

Given an element $\mu \in P_K^+$ we can determine the M -types $\nu = \nu_1\eta_1 + \nu_2\eta_2 + \nu_3\eta_3 \in P_M^+(\mu)$ and we know from Proposition 3.6 that for λ_1 large enough,

$$\lambda = \lambda_1\varpi_1 + \nu_3\varpi_2 + \nu_2\varpi_3 + \nu_1\varpi_4 \in P_G^+(\mu). \quad (6.3)$$

We proceed to determine the minimal λ_1 such that (6.3) holds, in the case that μ satisfies the multiplicity free condition of Theorem 6.1.

Theorem 6.4. *Let $\mu \in (\mathbb{N}\omega_1 \oplus \mathbb{N}\omega_2) \cup (\mathbb{N}\omega_3) \cup (\mathbb{N}\omega_4)$. Then $\lambda = \lambda_1\varpi_1 + \lambda_2\varpi_2 + \lambda_3\varpi_3 + \lambda_4\varpi_4 \in B(\mu)$ if and only if (i) $q(\lambda) \in P_M^+(\mu)$ and (ii)*

$$\mu_1 + \mu_2 = \lambda_1 + \lambda_2 + \lambda_3 + \lambda_4 \quad \text{if} \quad \mu = \mu_1\omega_1 + \mu_2\omega_2, \quad (6.4)$$

$$\mu_3 = \lambda_1 + \lambda_2 + \lambda_3 \quad \text{if} \quad \mu = \mu_3\omega_3, \quad (6.5)$$

$$\mu_4 = \lambda_1 + \lambda_2 + \lambda_4 \quad \text{if} \quad \mu = \mu_4\omega_4. \quad (6.6)$$

Hence the bottom $B(\mu)$ is given by a singular equation and the inequalities of $P_M^+(\mu)$ in all cases, except for $(G, K) = (\mathrm{SU}(n+1), \mathrm{S}(\mathrm{U}(n) \times \mathrm{U}(1)))$. We have found the inequalities of Theorem 6.4 using an implementation of the branching rule from F_4 to $\mathrm{Spin}(9)$ in Mathematica and looking at some examples. Before we prove Theorem 6.4 we settle the proof of the final case of Theorem 1.2.

Corollary 6.5. *Let $\lambda \in P_G^+(\mu) \rightarrow \mathbb{N}$ and let $\lambda' \in P$ be a weight of the spherical representation. Then $|d(\lambda + \lambda') - d(\lambda)| \leq 1$ with $d : P_G^+(\mu) \rightarrow \mathbb{N}$ the degree function of Theorem 1.2.*

Proof. The weights of the spherical representation are the short roots and zero (with multiplicity two). After expressing these weights as linear combinations of fundamental weights, one easily checks the assertion. \square

Proof of Theorem 6.4. The proof of Theorem 6.4 is divided into two parts, corresponding to the dimension of the face. The strategy in both cases is the same. Fix $\mu \in (\mathbb{N}\omega_1 \oplus \mathbb{N}\omega_2) \cup (\mathbb{N}\omega_3) \cup (\mathbb{N}\omega_4)$ and choose a suitable system R_G^+ of positive roots of G . Let $A = R_G^+ \setminus R_K^+$ and let p_A denote the corresponding partition function. Let $\lambda \in P_G^+$ have the property that $q(\lambda) \in P_M^+(\mu)$. This gives restrictions on $\lambda_2, \lambda_3, \lambda_4$, according to Proposition 6.3. Let λ_1 satisfy the appropriate linear equation from the theorem.

For $w \in W_G$ define $\Lambda_w(\lambda, \mu) = w(\lambda + \rho) - (\mu + \rho)$. Explicit knowledge of the partition function p_A allows us, using Mathematica, to determine for which $w \in W_G$ the quantity $p_A(\Lambda_w(\lambda, \mu))$ is zero. We end up with two elements in case $\mu \in \mathbb{N}\omega_1 \oplus \mathbb{N}\omega_2$ and twelve elements in the other cases, for which $p_A(\Lambda_w(\lambda, \mu))$ is *possibly* not zero. This allows us to calculate $m_\lambda^{G,K}(\mu)$ using Lemma 4.1. One checks that the multiplicity is one for this choice of $\lambda \in P_G^+(\mu)$.

Moreover, if $\mu \in \mathbb{N}\omega_1 \oplus \mathbb{N}\omega_2$ then $p(\Lambda_w(\lambda - \lambda_{\mathrm{sph}})) = 0$ for all Weyl group elements. In the other cases for μ we find the same twelve Weyl group elements for which $p_A(\Lambda_w(\lambda - \lambda_{\mathrm{sph}}, \mu))$ *possibly* does not vanish. One checks that the multiplicity is zero in this case.

We conclude the proof by indicating the the positive system that we chose in the various cases, a description of the partition function and lists of the Weyl group elements that may contribute in the Kostant multiplicity formula.

The case $\mu = \mu_1\omega_1 + \mu_2\omega_2$. Here we take the standard positive system R_G^+ and we have $A = R_G^+ \setminus R_K^+ = \{\frac{1}{2}(\epsilon_1 \pm \epsilon_2 \pm \epsilon_3 \pm \epsilon_4)\}$. Let $\Lambda = (\Lambda_1, \Lambda_2, \Lambda_3, \Lambda_4) \in P$. We claim that $p_A(\Lambda) > 0$ if and only if $|\Lambda_j| \leq \Lambda_1$ for $j = 2, 3, 4$.

Let us denote $A = \{a_{000}, \dots, a_{111}\}$ where the binary index indicates where to put the + or the - sign on positions 2,3,4, e.g. $a_{100} = \frac{1}{2}(\epsilon_1 - \epsilon_2 + \epsilon_3 + \epsilon_4)$.

Let

$$\Lambda = \sum_{i=000}^{111} n_i a_i. \quad (6.7)$$

We are going to count the number of tuples $(n_{000}, \dots, n_{111}) \in \mathbb{N}^8$ for which (6.7) holds. First of all, it follows from (6.7) that

$$\sum_{i=000}^{011} n_i = \Lambda_1 + \Lambda_2, \quad \sum_{i=100}^{111} n_i = \Lambda_1 - \Lambda_2.$$

In other words, any linear combination (6.7) uses $\Lambda_1 + \Lambda_2$ elements from the set $\{a_{000}, \dots, a_{011}\}$ and $\Lambda_1 - \Lambda_2$ elements from the set $\{a_{100}, \dots, a_{111}\}$. Let us write $(\Lambda_3, \Lambda_4) = (v_1, v_2) + (\Lambda_3 - v_1, \Lambda_4 - v_2)$. For each such decomposition we need to count (1) the number of tuples $(n_{000}, \dots, n_{011}) \in \mathbb{N}^4$ for which $\sum_{i=000}^{011} n_i a_i = ((\Lambda_1 + \Lambda_2)/2, (\Lambda_1 + \Lambda_2)/2, v_1, v_2)$ and (2) the number of tuples $(n_{100}, \dots, n_{111}) \in \mathbb{N}^4$ for which $\sum_{i=100}^{111} n_i a_i = ((\Lambda_1 - \Lambda_2)/2, -(\Lambda_1 - \Lambda_2)/2, \Lambda_3 - v_1, \Lambda_4 - v_2)$. For each (v_1, v_2) we take the product of these quantities, and summing these for the possible vectors (v_1, v_2) yields the desired formula for p_A .

This reduces the calculation of p_A to the following counting problem. Let $L = \mathbb{Z}^2 \cup ((\frac{1}{2}, \frac{1}{2}) + \mathbb{Z}^2)$, let $A' = \{(\pm\frac{1}{2}, \pm\frac{1}{2})\}$ and let $p \in \mathbb{N}$. Let us denote $A' = \{a'_{00}, \dots, a'_{11}\}$, where the binary number indicates where to put the + and the - signs, e.g. $a'_{10} = (-1/2, 1/2)$. Given a vector $v = (v_1, v_2)$ we want to calculate the number of tuples $(n_{00}, \dots, n_{11}) \in \mathbb{N}^4$ such that $\sum_{i=00}^{11} n_i a'_i = v$ and $\sum_{i=00}^{11} n_i = p$. It is necessary that $|v_1|, |v_2| \leq p/2$. In this case, the number of tuples is $1 + \frac{p}{2} - \max(|v_1|, |v_2|)$.

Returning to our original problem, we have

$$p_A(\Lambda) = \sum_{v_1, v_2} \left(1 + \frac{\Lambda_1 + \Lambda_2}{2} - \max(|v_1|, |v_2|) \right) \times \left(1 + \frac{\Lambda_1 - \Lambda_2}{2} - \max(|\Lambda_3 - v_1|, |\Lambda_4 - v_2|) \right),$$

where (v_1, v_2) satisfies the restrictions $|v_1|, |v_2| \leq (\Lambda_1 + \Lambda_2)/2$ and simultaneously $|\Lambda_3 - v_1|, |\Lambda_4 - v_2| \leq (\Lambda_1 - \Lambda_2)/2$. As a result, the ranges for the summations are

$$v_1 = \max\left(-\frac{\Lambda_1 + \Lambda_2}{2}, \Lambda_3 - \frac{\Lambda_1 - \Lambda_2}{2}\right), \dots, \min\left(\frac{\Lambda_1 + \Lambda_2}{2}, \Lambda_3 + \frac{\Lambda_1 - \Lambda_2}{2}\right),$$

$$v_2 = \max\left(-\frac{\Lambda_1 + \Lambda_2}{2}, \Lambda_4 - \frac{\Lambda_1 - \Lambda_2}{2}\right), \dots, \min\left(\frac{\Lambda_1 + \Lambda_2}{2}, \Lambda_4 + \frac{\Lambda_1 - \Lambda_2}{2}\right).$$

In particular, $p_A(\Lambda) > 0$ if and only if the ranges for v_1 and v_2 are both non-empty, which is equivalent to

$$|\Lambda_2| \leq \Lambda_1, \quad (6.8)$$

$$|\Lambda_3| \leq \Lambda_1, \quad (6.9)$$

$$|\Lambda_4| \leq \Lambda_1. \quad (6.10)$$

The only two Weyl group elements for which $p_A(\Lambda_w(\lambda, \mu))$ contributes to the multiplicity $m_\lambda^{G,K}(\mu)$, under the assumptions (6.4) and $q(\lambda) \in P_M^+(\mu)$ are e, s_2 . In this case $m_\lambda^{G,K}(\mu) = 1$. Also, $m_{\lambda - \lambda_{\text{sph}}}^{G,K}(\mu) = 0$ under the same conditions, as there are no Weyl group elements for which $p_A(\Lambda_w(\lambda - \lambda_{\text{sph}}, \mu))$ is non-zero.

The case $\mu = \mu_3\omega_3$ and $\mu = \mu_4\omega_4$. Let $\mu = \mu_3\omega_3$ or $\mu = \mu_4\omega_4$ and $\lambda \in B(\mu)$ and consider $\Lambda_w(\lambda, \mu) = w(\lambda + \rho) - (\mu + \rho)$ for $w \in W_G$. Using Mathematica to check the inequalities (6.8,6.9,6.10) under the condition (6.5) or (6.6) we find a number of 16 Weyl group elements for which $\Lambda_w(\lambda, \mu)$ is possibly in the support of p_A . However, the formulas for the elements $\Lambda_w(\lambda, \mu)$ that possibly contribute do not look tempting to perform calculations with.

Instead we pass to another Weyl chamber for F_4 while remaining in the same Weyl chamber for $\text{Spin}(9)$. The Weyl chamber that we choose contains ω_3 and ω_4 . The element $\tilde{w} = s_2s_1 \in W$ translates the standard Weyl chamber to one that we are looking for. The set of positive roots that corresponds to the system of simple roots is $\tilde{w}\Pi_G = R_K^+ \cup B$, where

$$B = \left\{ \frac{1}{2}(-\epsilon_1 + \epsilon_2 + \epsilon_3 \pm \epsilon_4), \frac{1}{2}(\epsilon_1 - \epsilon_2 + \epsilon_3 \pm \epsilon_4), \right. \\ \left. \frac{1}{2}(\epsilon_1 + \epsilon_2 - \epsilon_3 \pm \epsilon_4), \frac{1}{2}(\epsilon_1 + \epsilon_2 + \epsilon_3 \pm \epsilon_4) \right\}$$

is the new set of positive roots of G that are not roots of K . The Kostant multiplicity formula reads

$$m_\lambda^{G,K}(\mu) = \sum_{w \in W_G} \det(w) p_B(\Lambda_w(w(\lambda + \tilde{\rho}) - (\mu + \tilde{\rho})),$$

where $\tilde{\rho} = \frac{1}{2}(9\epsilon_1 + 7\epsilon_2 + 5\epsilon_3 + \epsilon_4)$ is the Weyl vector for the new system of positive roots.

Our aim is to calculate the partition $p_B(\Lambda)$ for $\Lambda = (\Lambda_1, \Lambda_2, \Lambda_3, \Lambda_4) \in P$. To begin with we focus on the first three coordinates. Let $\pi : P \rightarrow \mathbb{Z}^3 \cup ((\frac{1}{2}, \frac{1}{2}, \frac{1}{2}) + \mathbb{Z}^3)$ denote the projection on the first three coordinates. Let $C = \{c_1, c_2, c_3, c_4\}$

with

$$\begin{aligned} c_1 &= \frac{1}{2}(-\epsilon_1 + \epsilon_2 + \epsilon_3), c_2 = \frac{1}{2}(\epsilon_1 - \epsilon_2 + \epsilon_3), \\ c_3 &= \frac{1}{2}(\epsilon_1 + \epsilon_2 - \epsilon_3), c_4 = \frac{1}{2}(\epsilon_1 + \epsilon_2 + \epsilon_3). \end{aligned}$$

The number of linear combinations $\pi(\Lambda) = n_1c_1 + n_2c_2 + n_3c_3 + n_4c_4$ with $n_i \in \mathbb{N}$ is non-zero if and only if

$$0 \leq \Lambda_1 + \Lambda_2, \quad (6.11)$$

$$0 \leq \Lambda_1 + \Lambda_3, \quad (6.12)$$

$$0 \leq \Lambda_2 + \Lambda_3. \quad (6.13)$$

We assume $\Lambda_1 \geq \Lambda_2 \geq \Lambda_3$. We have

$$\begin{aligned} (\Lambda_1, \Lambda_2, \Lambda_3) &= (\Lambda_1 - \Lambda_2)c_1 + (\Lambda_1 - \Lambda_3)c_2 + (\Lambda_2 + \Lambda_3)c_4 \\ &= (\Lambda_1 - \Lambda_2 + 1)c_1 + (\Lambda_1 - \Lambda_3 + 1)c_2 + c_3 + (\Lambda_2 + \Lambda_3 - 1)c_4 \\ &\quad \vdots \\ &= (\Lambda_1 + \Lambda_3)c_1 + (\Lambda_1 + \Lambda_2)c_2 + (\Lambda_2 + \Lambda_3)c_3, \end{aligned}$$

from which we see that there are $\Lambda_2 + \Lambda_3 + 1$ ways to write $(\Lambda_1, \Lambda_2, \Lambda_3)$ as a linear combination of elements in C with coefficients in \mathbb{N} . Every such combination uses a unique number of vectors: $2\Lambda_1 + 2r$, where $r = 0, \dots, \Lambda_2 + \Lambda_3$.

Let $b_{i,\pm} = c_i \pm \frac{1}{2}\epsilon_4$ denote the elements in B that project onto $c_i \in C$. Let $\Lambda = \sum s_{i,\pm}b_{i,\pm}$ be a positive integral linear combination of elements in B and define $m_i = s_{i,+} + s_{i,-}$. Then $\pi(\Lambda) = \sum m_i c_i$ is a linear combination of elements in C with coefficients in \mathbb{N} and hence there is an $r \in \{0, \dots, \Lambda_2 + \Lambda_3\}$ such that $m_1 = \Lambda_1 - \Lambda_3 + r, m_2 = \Lambda_1 - \Lambda_2 + r, m_3 = r$ and $m_4 = \Lambda_2 + \Lambda_3 - r$. We find that $\sum_{i=1}^4 s_{i,+} - \sum_{i=1}^4 s_{i,-} = 2\Lambda_4$ and $\sum_{i=1}^4 s_{i,+} + \sum_{i=1}^4 s_{i,-} = 2\Lambda_1 + 2r$. It follows that the number of ways in which we can write Λ as a linear combination of $2\Lambda_1 + 2r$ elements in B with coefficients in \mathbb{N} is equal to the number of tuples $(s_{1,+}, s_{2,+}, s_{3,+}, s_{4,+}) \in \mathbb{N}^4$ with $\sum_{i=1}^4 s_{i,+} = \Lambda_1 + \Lambda_4 + r$ and $0 \leq s_{i,+} \leq m_i$. This is the number of integral points in the intersection of the hyperrectangular $\{0 \leq s_{i,+} \leq m_i\}$ and the affine hyperplane $\{s_{1,+} + s_{2,+} + s_{3,+} + s_{4,+} = \Lambda_1 + \Lambda_4 + r\}$ and we denote this quantity with $L((m_1, m_2, m_3, m_4), \Lambda_1 + \Lambda_4 + r)$. Whenever

$$|\Lambda_4| \leq \Lambda_1 + \Lambda_2 + \Lambda_3, \quad (6.14)$$

$L((m_1, m_2, m_3, m_4), \Lambda_1 + \Lambda_4 + r) > 0$. Hence

$$p_B(\Lambda) = \sum_{r=0}^{\Lambda_2 + \Lambda_3} L((\Lambda_1 - \Lambda_3 + r, \Lambda_1 - \Lambda_2 + r, r, \Lambda_2 + \Lambda_3 - r), \Lambda_1 + \Lambda_4 + r)$$

if $\Lambda_1 \geq \Lambda_2 \geq \Lambda_3$. The quantity $p_B(\Lambda)$ is positive if and only if the inequalities (6.11),(6.12),(6.13) and (6.14) hold. Note that these inequalities are invariant for permuting the first three coordinates of Λ .

Let $\mu = \mu_3\omega_3$ or $\mu = \mu_4\omega_4$ and let $\lambda \in P_G^+$ satisfy $q(\lambda) \in P_M^+(\mu)$ and (6.5) or (6.6) respectively. Define $\Gamma_w(\lambda, \mu) = w(\tilde{w}\lambda + \tilde{\rho}) - (\mu + \tilde{\rho})$. For the elements $\Gamma_w(\lambda, \mu)$ and $\Gamma_w(\lambda - \lambda_{\text{sph}}, \mu)$ we check the inequalities (6.11),(6.12),(6.13) and (6.14). We get 12 Weyl group elements for which $p_B(\Gamma_w(\lambda, \mu))$ and $p_B(\Gamma_w(\lambda - \lambda_{\text{sph}}, \mu))$ are possibly non-zero. Moreover, the twelve elements are the same for $\mu = \mu_3\omega_3$ and $\mu = \mu_4\omega_4$ and we have listed them in Table 4.

w_1	w_2	w_3	w_4	w_5	w_6	w_7	w_8	w_9	w_{10}	w_{11}	w_{12}
e	s_1	s_2	s_3	s_4	s_1s_2	s_1s_3	s_1s_4	s_2s_1	s_2s_3	s_2s_4	s_3s_2

Table 4: The Weyl group elements w for which $\Gamma_w(\tilde{w}\lambda, \mu)$ is possibly in the support of p_B .

Using the explicit description of p_B one verifies the equalities $m_\lambda^{G,K}(\mu) = 1$ and $m_{\lambda - \lambda_{\text{sph}}}^{G,K}(\mu) = 0$. \square

7 The differential equations

Our goal is to define a non-trivial commutative algebra of differential operators for the matrix valued orthogonal polynomials defined in Section 1. Let (G, K, F) be a multiplicity free system from Table 1 and let $\mu \in F$. Let $\mathfrak{g}_c, \mathfrak{k}_c$ denote the complexifications, let $U(\mathfrak{g}_c)$ denote the universal enveloping algebra of \mathfrak{g}_c and let $U(\mathfrak{g}_c)^{\mathfrak{k}_c}$ denote the commutant of \mathfrak{k}_c in $U(\mathfrak{g}_c)$. Let π_μ^K be an irreducible representation of K in V_μ and let $\dot{\pi}_\mu^K$ denote the corresponding representation of $U(\mathfrak{k}_c)$. Let $I(\mu) \subset U(\mathfrak{k}_c)$ denote the kernel of $\dot{\pi}_\mu^K$ and consider the left ideal $U(\mathfrak{g}_c)I(\mu) \subset U(\mathfrak{g}_c)$. As in [8, Ch. 9] we define

$$\mathbb{D}(\mu) = U(\mathfrak{g}_c)^{\mathfrak{k}_c} / (U(\mathfrak{g}_c)^{\mathfrak{k}_c} \cap U(\mathfrak{g}_c)I(\mu)),$$

which is an associative algebra. In fact, $\mathbb{D}(\mu)$ is commutative because it can be embedded, using an anti homomorphism, into the commutative algebra $U(\mathfrak{a}_c) \otimes \text{End}_M(V_\mu)$ (see [8, 9.2.10]), which is commutative by Proposition 3.4. The irreducible representations of $\mathbb{D}(\mu)$ are in a 1–1 correspondence with the irreducible representations of \mathfrak{g}_c that contain $\dot{\pi}_\mu^K$ upon restriction, see [8, Thm. 9.2.12].

Let $D \in U(\mathfrak{g}_c)$. The μ -radial part $R(\mu, D)$ is a differential operator that

satisfies

$$R(\mu, D)(\Phi|_T) = D(\Phi)|_T \quad (7.1)$$

for all functions $\Phi : G \rightarrow \text{End}(V_\mu)$ satisfying (1.1). Following Casselman and Milićić [7, Thm. 3.1] we find a homomorphism

$$R(\mu) : U(\mathfrak{g}_c)^{\mathfrak{k}_c} \rightarrow C(T) \otimes U(\mathfrak{t}_c) \otimes \text{End}(\text{End}_M(V_\mu))$$

such that (7.1) holds for all $D \in U(\mathfrak{g}_c)^{\mathfrak{k}_c}$ and all $\Phi \in C^\infty(G, \text{End}(V_\mu))$ satisfying (1.1). For the two non-symmetric multiplicity free triples we have an Iwasawa-like decomposition $\mathfrak{g}_c = \mathfrak{k}_c \oplus \mathfrak{t}_c \oplus \mathfrak{n}^+$ and a map $\mathfrak{n}^+ \rightarrow \mathfrak{k}_c$ onto the orthocomplement of \mathfrak{m}_c in \mathfrak{k}_c . This map replaces $I + \theta$ in the symmetric case and is essential in the construction of R_μ , see [7, Lem. 2.2]. The homomorphism $R(\mu)$ factors through the projection $U(\mathfrak{g}_c)^{\mathfrak{k}_c} \rightarrow \mathbb{D}(\mu)$ and we obtain an injective algebra homomorphism that we denote by the same symbol, $R(\mu) : \mathbb{D}^\mu \rightarrow C(T) \otimes U(\mathfrak{t}_c) \otimes \text{End}(\text{End}_M(V_\mu))$. We identify $\text{End}_M(V_\mu) = \mathbb{C}^{N_\mu}$ by Schur's Lemma with N_μ the cardinality of the bottom $B(\mu)$ and we write $\mathbb{M}^\mu = \text{End}(\mathbb{C}^{N_\mu})$. The elementary spherical functions Φ_λ^μ are simultaneous eigenfunctions for the algebra $\mathbb{D}(\mu)$. The differential operators $R(\mu, D)$ become differential operators for the functions $\Psi_d^\mu : T \rightarrow \mathbb{M}^\mu$ and, according to the construction, the functions Ψ_n^μ are simultaneous eigenfunctions for the operators $R(\mu, D)$ with $D \in \mathbb{D}(\mu)$. The eigenvalues are diagonal matrices $\Lambda_n(D) \in \mathbb{M}^\mu$ acting on the right, i.e. we have $R(\mu, D)\Psi_n^\mu = \Psi_n^\mu \Lambda_n(D)$.

In the forthcoming paper [38] it is shown that the function $\Psi_0^\mu : T \rightarrow \mathbb{M}^\mu$ is point wise invertible on T_{reg} , the open subset of T on which the restriction of the minimal spherical function, $\phi|_T$, is regular. The proof relies on the bispectral property that is present for the family of matrix valued functions $\{\Psi_n^\mu : n \in \mathbb{N}\}$. More precisely, the interplay between the differential operators and the three term recurrence relation imply that the function Ψ_0^μ satisfies an ODE whose coefficients are regular on T_{reg} . If we conjugate $R(\mu, D)$ with Ψ_0^μ and perform the change of variables $x = c\phi(t) + (1 - c)$, such that x runs in $[-1, 1]$, then we obtain a differential operator acting on the space of matrix valued orthogonal polynomials $\mathbb{M}^\mu[x]$. The algebra of differential operators that is obtained in this way is denoted by \mathbb{D}^μ . The family of matrix valued orthogonal polynomials $(P_n^\mu(x); n \in \mathbb{N})$ that we obtain from the functions $(\Psi_n^\mu; n \in \mathbb{N})$, is a family of simultaneous eigenfunctions for the algebra \mathbb{D}^μ . The algebra of differential operators $\mathbb{M}^\mu[x, \partial_x]$ acts on $\mathbb{M}^\mu[x]$, where the matrices act by left multiplication. Note that $\mathbb{D}^\mu \subset \mathbb{M}^\mu[x, \partial_x]$.

The description of the map $R(\mu)$ in [7] allows one to calculate explicitly the radial part of the (order two) Casimir operator $\Omega \in U(\mathfrak{g}_c)^{\mathfrak{k}_c}$. An explicit

expression can be found in [43, Prop. 9.1.2.11] for the case where (G, K) is symmetric. The image of Ω in the algebra \mathbb{D}^μ is denoted by Ω^μ and is of order two. Its eigenvalues can be calculated explicitly in terms of highest weights and they are real, which implies that Ω^μ is symmetric with respect to the matrix valued inner product $\langle \cdot, \cdot \rangle_{W^\mu}$. These are examples of matrix valued hypergeometric differential operators [40].

8 Conclusions

Several questions remain. We have shown the existence of families of matrix valued orthogonal polynomials, together with a commutative algebra of differential operators for which the polynomials are simultaneous eigenfunctions, mainly by working out the branching rules. The key result is that the bottom of the μ -well is well behaved with respect to the weights of the fundamental spherical representation, so that the degree function has the right properties. It would be interesting to see whether one can draw the same conclusions by investigating of the differential equations for the matrix valued orthogonal polynomials. This would require more precise knowledge of the algebra $\mathbb{D}(\mu)$.

On the other hand, it would be interesting to investigate whether the good properties of the degree function follow from convexity arguments that come about if we formulate matters concerning the representation theory, such as induction and restriction, in terms of symplectic or algebraic geometry. For example, in this light, it is interesting to learn more about the (spherical) spaces G_c/Q and their G_c -equivariant line bundles, where $Q \subset K_c$ is the parabolic subgroup associated to F , for a multiplicity free system (G, K, F) .

The existence of multiplicity free systems (G, K, F) with (G, K) a Gelfand pair of rank > 1 , raises the question whether the spectra of the induced representations have a similar structure as in the rank one case. If the answer is affirmative we expect that we can associate families of matrix valued orthogonal polynomials in several variables to these spectra, together with commutative algebras of differential operators that have these polynomials as simultaneous eigenfunctions. For the examples $(\text{Spin}(9), \text{Spin}(7), \mathbb{N}_{\omega_1})$ and $(\text{SU}(n+1) \times \text{SU}(n+1), \text{diag}(\text{SU}(n+1)), F)$, where $F = \omega_1 \mathbb{N}$ or $F = \omega_n \mathbb{N}$, this seems to be the case. In general the branching rules will not be of great help in understanding the bottom of the μ -well, as they soon become too complicated in the higher rank situations.

References

- [1] M.W. Baldoni Silva, Branching theorems for semisimple Lie groups of real rank one, *Rend. Sem. Univ. Padova* 61 (1979), 229-250.
- [2] S. Bochner, Über Sturm–Liouvillesche Polynomsysteme, *Mathematisch Zeitschrift* 29 (1929), 730-736.
- [3] N. Bourbaki, *Groupes et Algèbres de Lie*, Chapitres 4,5 et 6, Masson, Paris, 1981.
- [4] M. Brion, Classification des espaces homogènes sphériques, *Compositio Math.* 63:2 (1987), 189-208.
- [5] R. Camporesi, The Helgason Fourier transform for homogeneous vector bundles over compact Riemannian symmetric spaces—the local theory, *J. of Funct. Analysis* 220 (2005), 97-117.
- [6] R. Camporesi, A generalization of the Cartan–Helgason theorem for Riemannian symmetric spaces of rank one, *Pacific J. Math.* 222:1 (2005), 1-27.
- [7] W. Casselman and D. Miličić, Asymptotic behavior of matrix coefficients of admissible representations, *Duke Math. J.* 49:4(1982), 869–930.
- [8] J. Dixmier, *Algèbres enveloppantes*, Éditions Jacques Gabay, Paris, 1996.
- [9] A.J. Duran, Matrix inner product having a matrix second order differential operator, *Rocky Mountain J. of Math.* 27:2 (1997), 585-600.
- [10] A.J. Duran and F.A. Grünbaum, A Survey of orthogonal matrix polynomials satisfying second order differential equations, *Journal of Computational Applied Mathematics* 178 (2005), 169-190.
- [11] W. Fulton and J. Harris, *Representation Theory*, Graduate Texts in Mathematics 129, Springer, New York, 1991.
- [12] J.S. Geronimo, Scattering theory and matrix orthogonal polynomials on the real line, *Circuits Systems Signal Process* 1 (1982), 261-180.
- [13] F.A. Grünbaum, I. Pacharoni and J.A. Tirao, Matrix valued spherical functions associated to the complex projective plane, *J. Funct. Anal.* 188 (2002), 350-441.

- [14] F.A. Grünbaum, I. Pacharoni and J.A. Tirao, Matrix valued orthogonal polynomials of Jacobi type: the role of group representation theory, *Annales de l'Institut Fourier* 55:6 (2005), 2051-2068.
- [15] F.A. Grünbaum and J.A. Tirao, The Algebra of Differential Operators Associated to a Weight Matrix, *Integr. Equ. Oper. Theory* 58 (2007), 449-475.
- [16] V. Guillemin and S. Sternberg, Geometric Quantization and Multiplicities of Group Representations, *Invent. Math.* 67 (1982), 515-538.
- [17] V. Guillemin and S. Sternberg, Convexity Properties of the Moment Map II, *Invent. Math.* 77 (1984), 533-546.
- [18] V. Guillemin and S. Sternberg, The Frobenius Reciprocity Theorem from a Symplectic Point of View, *Lecture Notes Math.* 1037 (1983), 242-256.
- [19] V. Guillemin and S. Sternberg, Multiplicity Free Spaces, *J. Differential Geometry* 19 (1984), 31-56.
- [20] X. He, K. Nishiyama, H. Ochiai, Y. Oshima, On orbits in double flag varieties for symmetric spaces, [arXiv:1208.2084v1](https://arxiv.org/abs/1208.2084v1).
- [21] G.J. Heckman, Projections of Orbits and Asymptotic Behavior of Multiplicities for Compact Connected Lie groups, *Invent. Math.* 67 (1982), 333-356.
- [22] J.E. Humphreys, *Introduction to Lie Algebras and Representation Theory*, Graduate Texts in Mathematics 9, Springer, New York, 1972.
- [23] F.C. Kirwan, Convexity Properties of the Moment Map III, *Invent. Math.* 77 (1984), 547-552.
- [24] M. Kitagawa, Stability of Branching Laws for Highest Weight Modules, [arXiv:1307.0606](https://arxiv.org/abs/1307.0606).
- [25] A.W. Knap, *Lie Groups Beyond an Introduction*, Second Edition, Progress in Mathematics 140, Birkhäuser, Boston, 2002.
- [26] F. Knop, B. Van Steirteghem, Classification of smooth affine spherical varieties, *Transformation Groups*, Vol. 11, No. 3, (2006), 495-516.
- [27] E. Koelink, M. van Pruijssen and P. Román, Matrix Valued Orthogonal Polynomials related to $(SU(2) \times SU(2), \text{diag})$, Part I, *Int Math Res Notices* (2012) 2012 (24): 5673-5730.

- [28] E. Koelink, M. van Pruijssen and P. Román, Matrix Valued Orthogonal Polynomials associated to $(\mathrm{SU}(2) \times \mathrm{SU}(2), \mathrm{SU}(2))$, Part II, Publ. RIMS Kyoto Univ. 49 (2013), 271–312.
- [29] T.H. Koornwinder, Matrix elements of irreducible representations of $\mathrm{SU}(2) \times \mathrm{SU}(2)$ and vector-valued orthogonal polynomials, SIAM J. Math. Anal. 16 (1985), 602–613.
- [30] B. Kostant, A branching law for subgroups fixed by an involution and a noncompact analogue of the Borel–Weil theorem, 291–353, Progress in Math. 220, Birkhäuser, Boston, 2004.
- [31] M. Krämer, Sphärische Untergruppen in kompakten zusammenhängenden Liegruppen, Compositio Math. 38 (1979), 129–153.
- [32] M.G. Krein, Infinite J -matrices and a matrix moment problem, Dokl. Akad. Nauk, SSSR 69:2 (1949), 125–128.
- [33] M.G. Krein, Fundamental aspects of the representation theory of Hermitian operators with deficiency index (m, m) , AMS Translations, Series 2 97 (1971), 75–143.
- [34] J. Lepowsky, Multiplicity formulas for certain semisimple Lie groups, Bull. Amer. Math. Soc. 77 (1971), 601–605.
- [35] W.G. McKay and J. Patera, Tables of Dimensions, Indices and Branching Rules for Representations of Simple Lie Algebras, Marcel Dekker, New York, 1981.
- [36] I. Pacharoni and J.A. Tirao, Matrix Valued Orthogonal Polynomials Arising from the Complex Projective Space, Constr. Approx. 25 (2007), 177–192.
- [37] M. van Pruijssen, Matrix Valued Orthogonal Polynomials related to Gelfand Pairs of Rank One, PhD Nijmegen, 2012.
- [38] M. van Pruijssen, P. Román, Algorithm paper, work in progress.
- [39] G. Szegő, Orthogonal Polynomials, American Mathematical Society Colloquium Publications 23, New York, 1959.
- [40] J. A. Tirao, The matrix-valued hypergeometric equation, PNAS 100:14 (2003), 8138–8141.

- [41] D.A. Vogan, Lie algebra cohomology and a multiplicity formula of Kostant, J. Algebra 51 (1978), 69–75.
- [42] N. R. Wallach, Harmonic Analysis on Homogeneous Spaces, Marcel Dekkers, New York, 1973.
- [43] G. Warner, Harmonic analysis on semi-simple Lie groups II, Springer-Verlag, New York– Heidelberg, 1972.
- [44] H.-C. Wang, Two-point Homogeneous Spaces, Annals of Math. 55:1 (1952), 177–191.
- [45] Wolfram Research, Inc., Mathematica, Version 5.1, Champaign, IL (2005).